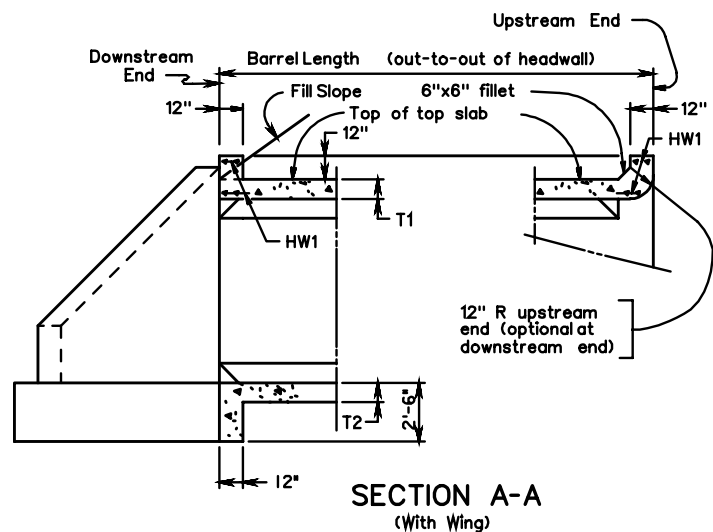
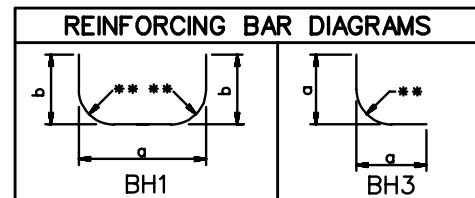
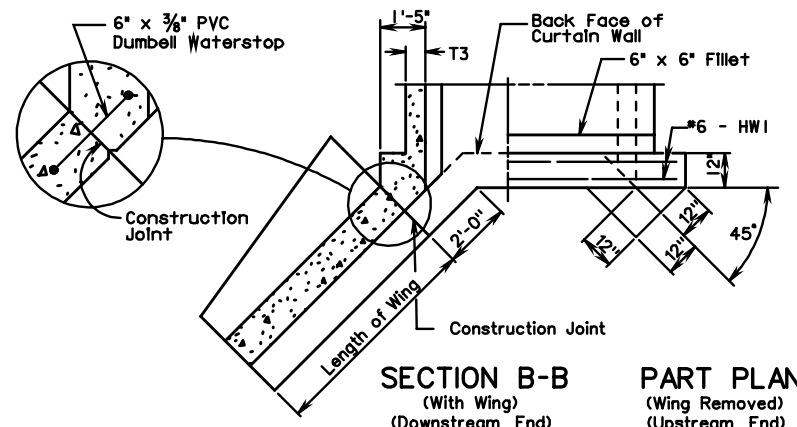


END ELEVATION



SECTION A-A  
(With Wing)



SECTION B-B  
(With Wing)  
(Downstream End)

PART PLAN  
(Wing Removed)  
(Upstream End)