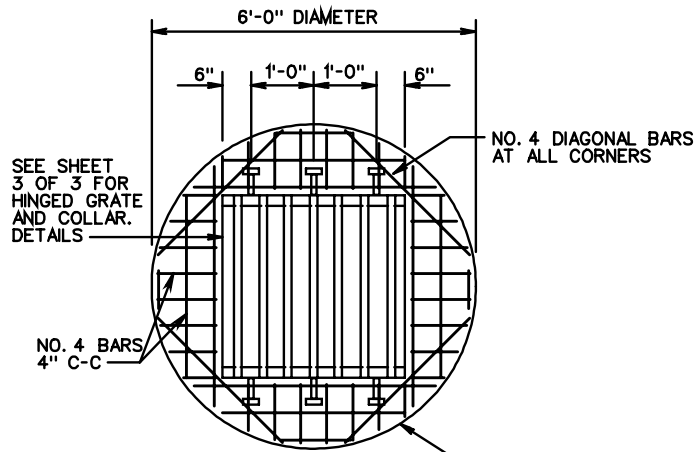


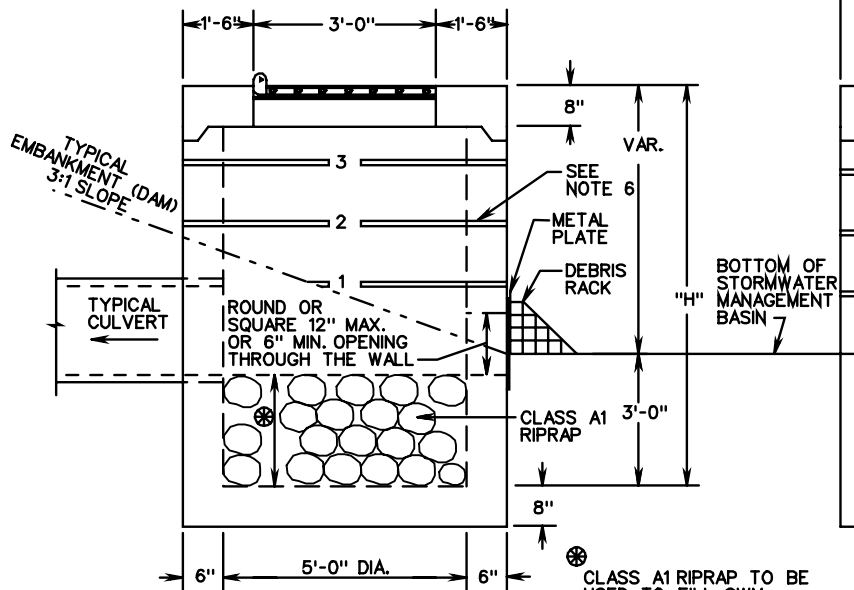
NOTES:

1. GRATE AND COLLAR ARE TO BE GALVANIZED AFTER FABRICATION. COST OF THIS GRATE AND COLLAR ARE TO BE INCLUDED IN THE PRICE BID FOR STORMWATER MANAGEMENT DRAINAGE STRUCTURE.
2. STRUCTURE MAY BE PRECAST OR CAST IN PLACE. SEE SHEET 1 OF 3 FOR DETAILS ON CAST IN PLACE STRUCTURE.
3. WEEP HOLES SHALL NOT BE PROVIDED. ANY LIFT HOLES SHALL BE PLUGGED.
4. STEPS ARE TO BE PROVIDED WHEN HEIGHT OF STRUCTURE IS 4'-0" OR GREATER ABOVE INVERT OF OUTLET PIPE. FOR STEP DETAILS SEE STANDARD ST-1.
5. FOR DETAILS ON METAL PLATE AND DEBRIS RACK SEE STANDARD SWM-DR.
6. MARK HEIGHT OF STRUCTURE, IN BLACK, WITH 4" HIGH NUMERALS AND 1" WIDE HORIZONTAL STRIPES AT 1' INTERVALS FROM INVERT OF WATER QUALITY ORIFICE (ALL VISIBLE SIDES).
7. STORMWATER MANAGEMENT DRAINAGE STRUCTURE, STANDARD SWM-1, MAY BE USED AS TEMPORARY SEDIMENT BASIN DURING CONSTRUCTION. SEE STANDARD SWM-DR, SHEET 1 OF 3, FOR TEMPORARY SEDIMENT BASIN DETAILS.



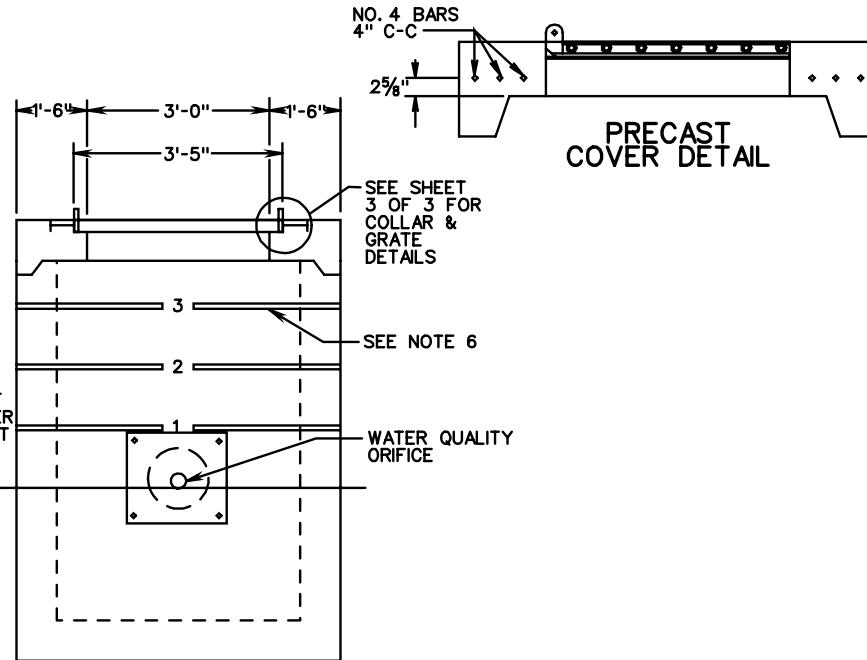
PLAN VIEW

FOR CONCRETE COVER DETAILS NOT SHOWN SEE ST'D. T-DI-1



SIDE VIEW

SWM DRAINAGE STRUCTURE



FRONT VIEW

(DEBRIS RACK NOT SHOWN)

PRECAST COVER DETAIL

PRECAST STORMWATER MANAGEMENT DRAINAGE STRUCTURE