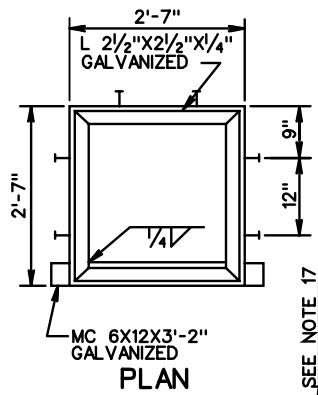
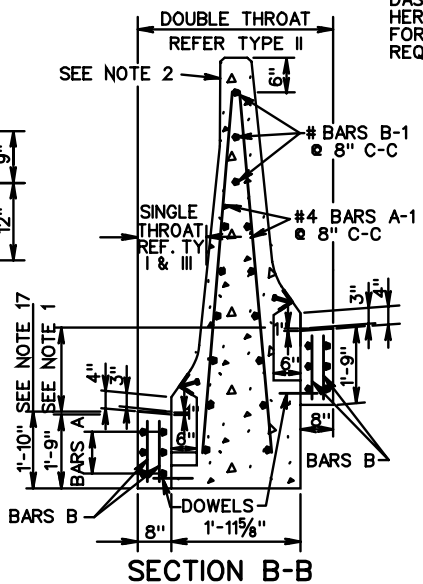


PLAN VIEW

SECTION A-A

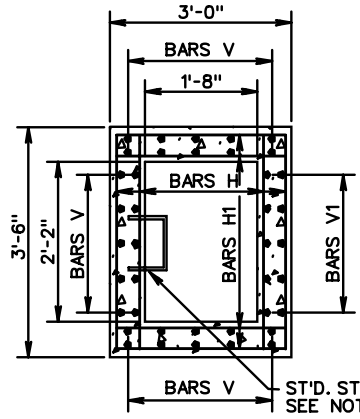


MC 6X12X3'-2" GALVANIZED  
PLAN  
1/2"X4" STUD SHEAR CONNECTOR.  
SECTION COLLAR DETAIL

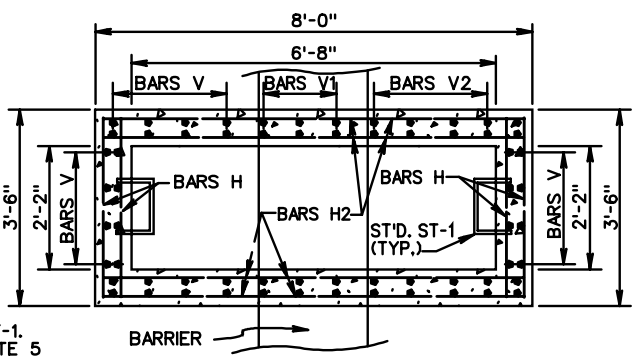


SECTION B-B

DASHED LINES SHOWN IN SECTION A-A HEREON INDICATE 8" THICK BACKWALL FOR TYPE I STRUCTURES WHICH REQUIRE SINGLE CHAMBER ONLY.



SECTION C-C  
TYPE I & III



SECTION D-D  
TYPE II  
(NOT TO SCALE)

SEE NOTES ON SHEET 2 OF 2.

SPECIFICATION REFERENCE
233 302

# CONCRETE MEDIAN BARRIER DROP INLET

## 12" -24" PIPE: DEPTH (H) = 20' MAX.