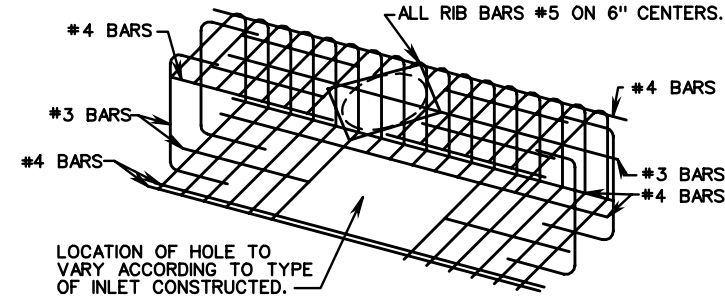
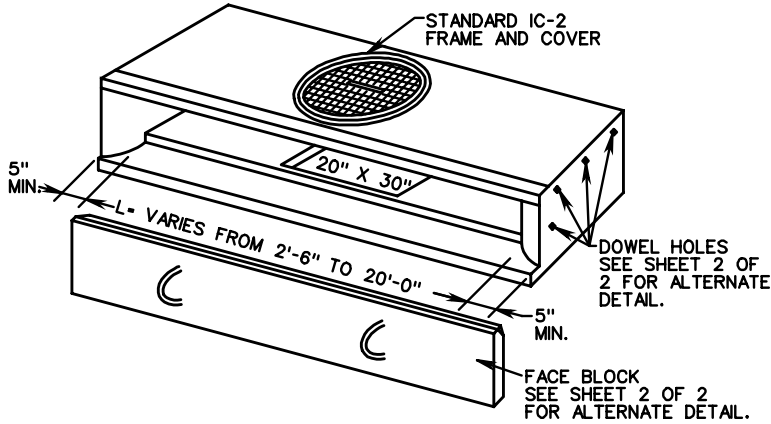
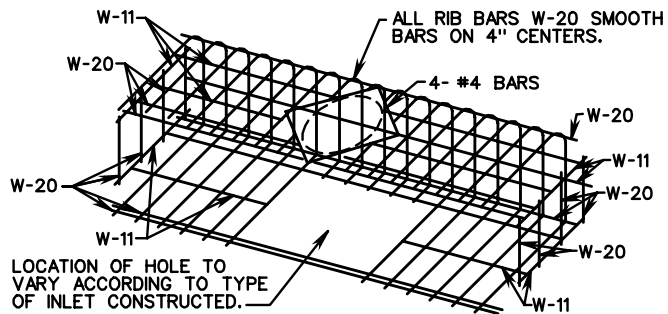


CURB DROP INLET THROAT SECTION



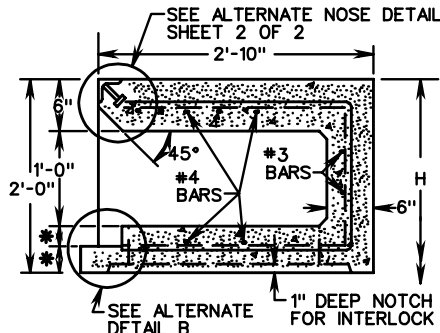
TYPICAL MINIMUM BAR REINFORCEMENT



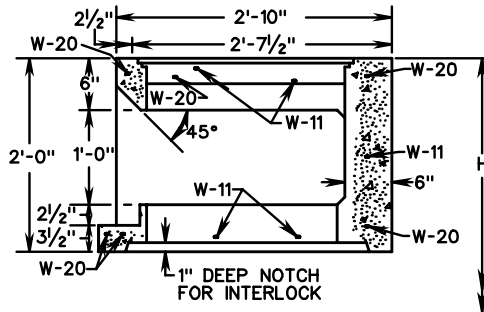
TYPICAL MINIMUM WELDED WIRE REINFORCEMENT

NOTES:

1. SEE GENERAL NOTES - PRECAST FOR ADDITIONAL DETAILS.
2. CONCRETE TO BE 4000 PSI MINIMUM COMPRESSIVE STRENGTH.
3. REINFORCING STEEL IN ACCORDANCE WITH ASTM A-615 FOR REINFORCING BARS.
4. REINFORCING IN ACCORDANCE WITH ASTM A-185 FOR WELDED WIRE MESH.
5. DIMENSIONS SHOWN ARE MINIMUM. ACTUAL DIMENSIONS MAY VARY WITH MANUFACTURER.
6. THIS UNIT MAY BE USED WITH ALL STANDARD DI-3 & DI-4 CURB DROP INLETS.
7. EACH FACE BLOCK SHALL HAVE 2 OR MORE LOOPS (#3 BARS) CAST IN FACE AS SHOWN. THESE LOOPS MAY BE USED FOR LIFTING, AND FOR TIEING IN THE POURED IN PLACE GUTTER SECTION. FACE BLOCKS ARE TO BE SEALED WITH GROUT OR POLYSULFIDE SEALER.
8. STANDARD ST-1 STEPS NOT REQUIRED IN THIS TOP UNIT.



* VARIES WITH MANUFACTURER



RECOMMENDED MINIMUM HEIGHT CHART

PIPE SIZE	H DIMENSION	
	CONC.	C.M.
6"	2'-11"	2'-11"
8"	3'-1 1/4"	3'-1"
10"	3'-3 1/4"	3'-3"
12"	3'-6"	3'-5"
15"	3'-9 1/4"	3'-8"
18"	4'-0 1/2"	3'-11"
21"	4'-3 3/4"	4'-2"
DI-3A,B,C,D,E & F FOR 36" BASE UNIT		
6"	3'-9"	3'-9"
8"	3'-11 1/4"	3'-11"
10"	4'-1 1/4"	4'-1"
12"	4'-4"	4'-3"
15"	4'-7 1/4"	4'-6"
18"	4'-10 1/2"	4'-9"
21"	5'-1 3/4"	5'-0"
24"	5'-5"	5'-3"
27"	5'-8 1/4"	5'-6"
DI-3A,B,C,D,E & F FOR 48" I.D. BASE UNIT		
12"	4'-7"	4'-6"
15"	4'-10 1/4"	4'-9"
18"	5'-1 1/2"	5'-0"
21"	5'-4 3/4"	5'-3"
24"	5'-8"	5'-6"
27"	5'-11 1/4"	5'-9"
30"	6'-2 1/2"	6'-0"
33"	6'-5 3/4"	6'-3"
36"	6'-9"	6'-6"
42"	7'-3 1/2"	7'-0"
48"	7'-10"	7'-6"
DI-3A,B,C,D,E & F FOR 60" or 72" BASE UNIT AND DI-4A,B,C,D,E & F		
12"	4'-7"	4'-6"
15"	4'-10 1/4"	4'-9"
18"	5'-1 1/2"	5'-0"
21"	5'-4 3/4"	5'-3"
24"	5'-8"	5'-6"
27"	5'-11 1/4"	5'-9"
30"	6'-2 1/2"	6'-0"
33"	6'-5 3/4"	6'-3"
36"	6'-9"	6'-6"
42"	7'-3 1/2"	7'-0"
48"	7'-10"	7'-6"

STANDARD PRECAST TOP UNITS