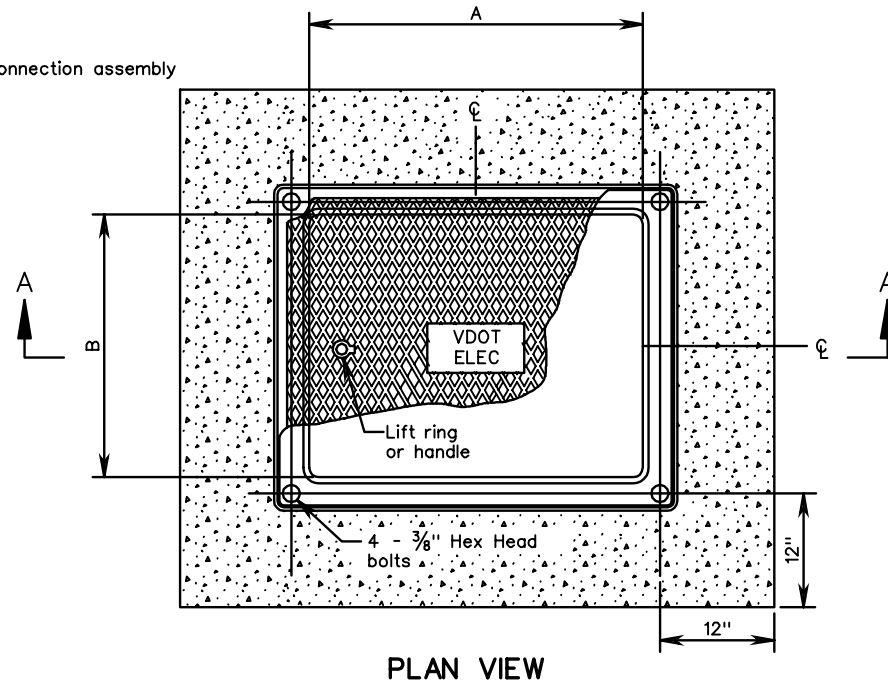


DETAIL 'A'

DETAIL 'B'

STANDARD	DIMENSIONS	
	A	B
JB-1B	12"	12"
JB-2B	12"	18"
JB-3B	18"	18"
JB-4B	18"	24"
JB-5B	24"	24"



PLAN VIEW

Notes:

Conduit entrances shall be located as shown on the plans. Conduits shall extend 2" min. to 3" max. beyond the inside wall of the junction box.

Bellends shall be installed on the ends of PVC conduits. Grounding bushings shall be installed on the ends of metal conduits. Bell ends & bushings shall be plugged to prevent moisture & rodent entry.

* Depth of conduit entrances for magnetic detectors shall be in accordance with Standard TD-2.

The cover shall have a non-skid surface with letters cast in the depression on top. The letters "VDOT ELEC", "VDOT TRAF", "VDOT COMM" or "UTILITY" as applicable are to be 1" wide and raised 1/4" high. Covers used for junction boxes installed within municipalities shall not require the VDOT reference.

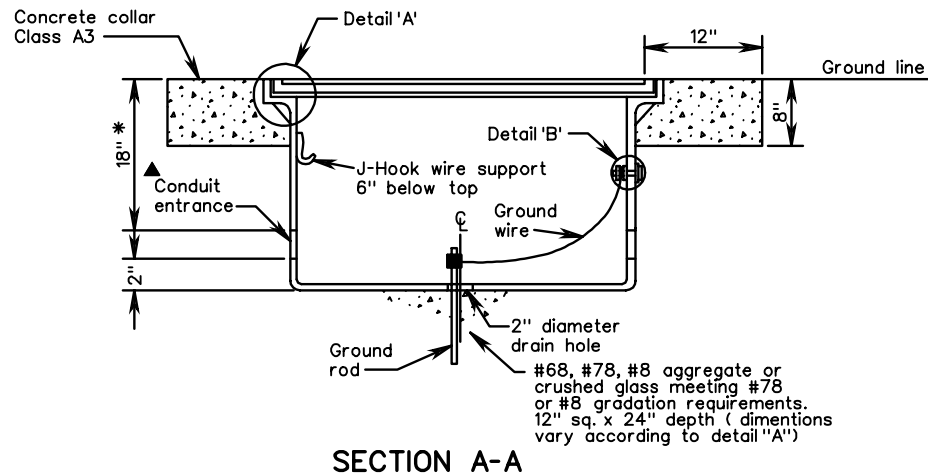
▲ A minimum 2" diameter conduit entrance is required, unless otherwise specified on plans.

A concrete collar is required only when junction box is installed in earth areas.

All junction boxes shall be installed with a ground rod unless box houses only communication/interconnect cable.

Voids resulting from entrance of conduits into junction boxes shall be completely filled with an appropriate material.

Junction box shall be a gray-iron casting with an asphalt coating on exterior surface except cover.



SECTION A-A

JUNCTION BOX

VIRGINIA DEPARTMENT OF TRANSPORTATION