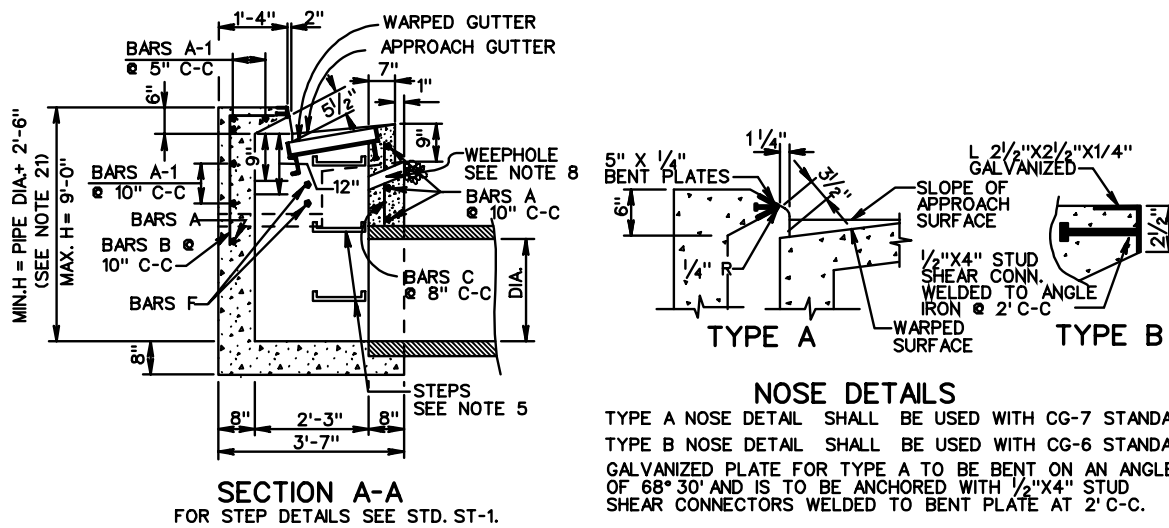
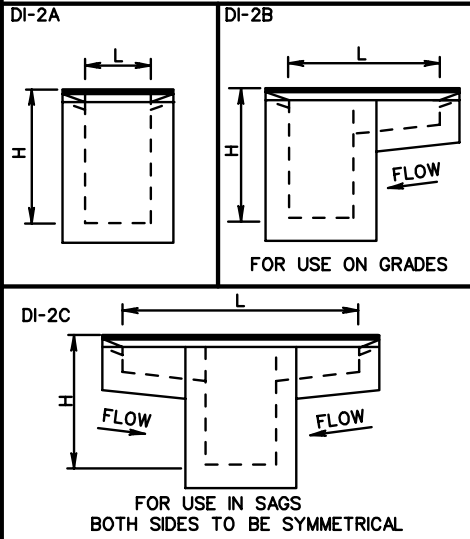
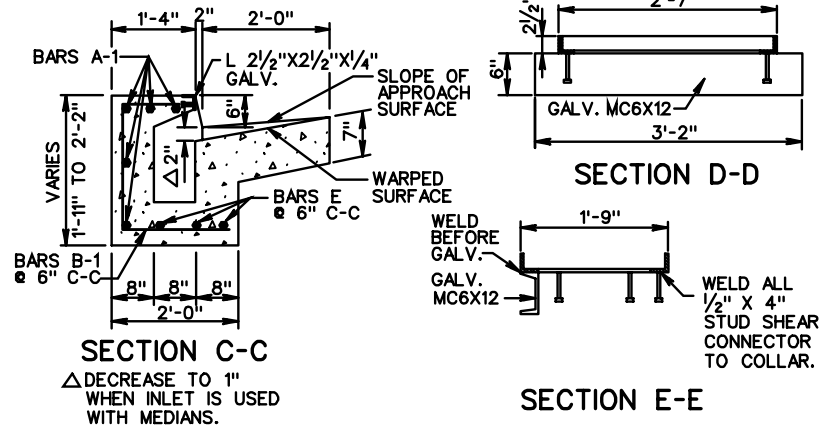
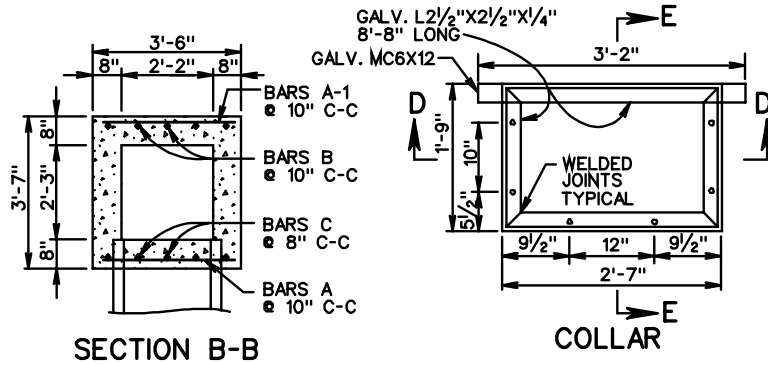
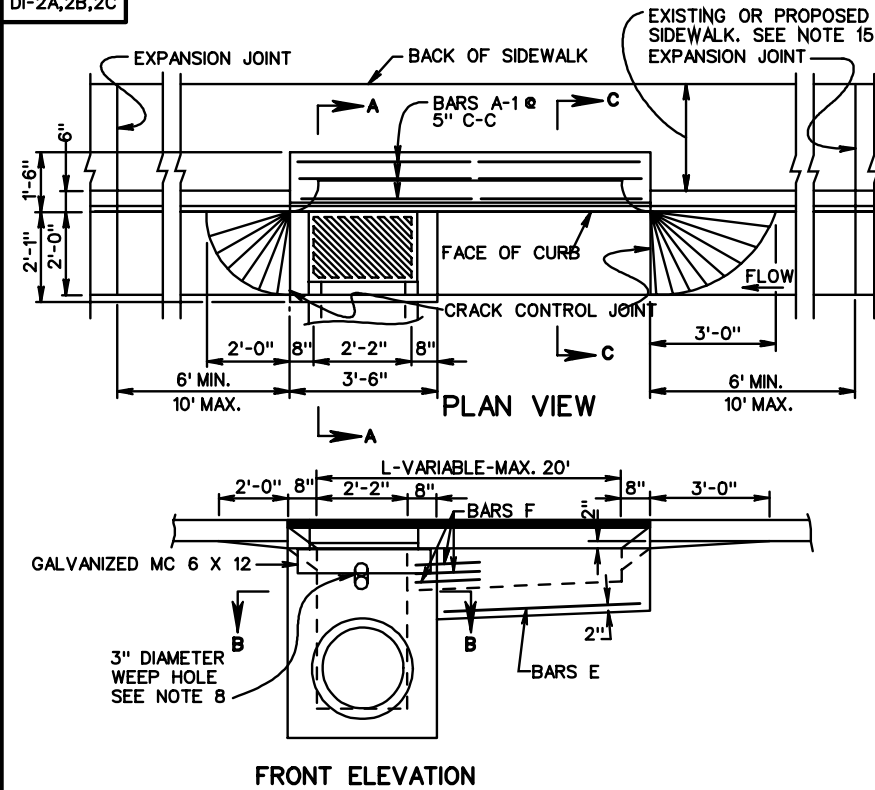


DI-2A,2B,2C



SHEET 1 OF 2

STANDARD CURB DROP INLET

12" - 24" PIPE: MAXIMUM DEPTH (H) = 9'

VIRGINIA DEPARTMENT OF TRANSPORTATION

SPECIFICATION REFERENCE

233
302

REV. 7/05

104.03