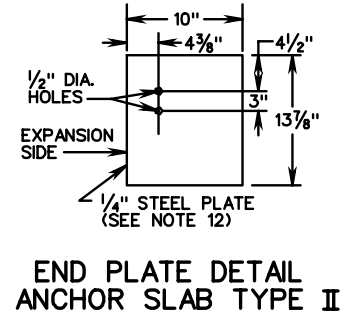
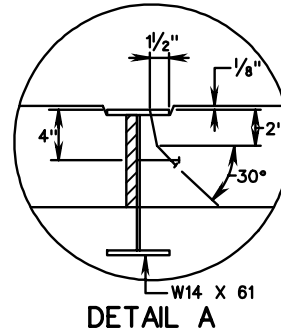
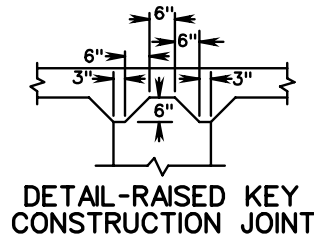
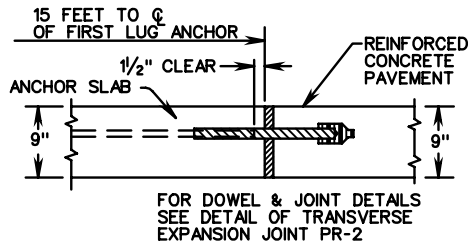


PLAN VIEW  
ANCHOR SLAB TYPE I

SECTION D-D

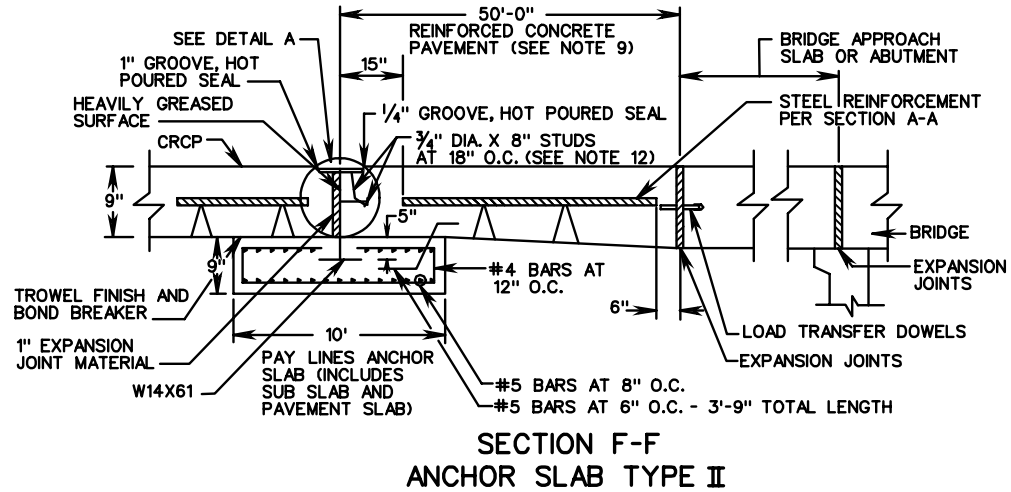
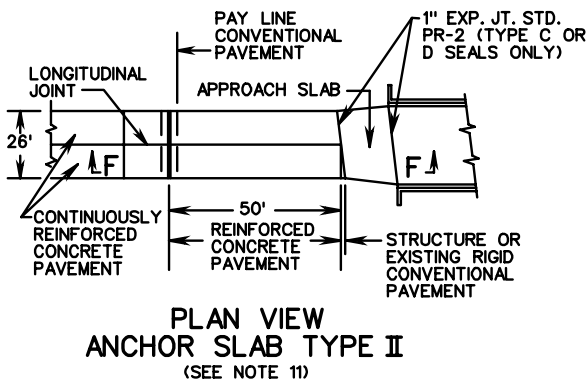


SECTION E-E  
ANCHOR SLAB TYPE I

DETAIL-RAISED KEY  
CONSTRUCTION JOINT

DETAIL A

END PLATE DETAIL  
ANCHOR SLAB TYPE II



PLAN VIEW  
ANCHOR SLAB TYPE II  
(SEE NOTE 11)

SECTION F-F  
ANCHOR SLAB TYPE II

# 9" THICK CONTINUOUSLY REINFORCED CONCRETE PAVEMENT 14 FOOT TRAVEL LANE

SPECIFICATION  
REFERENCE

316