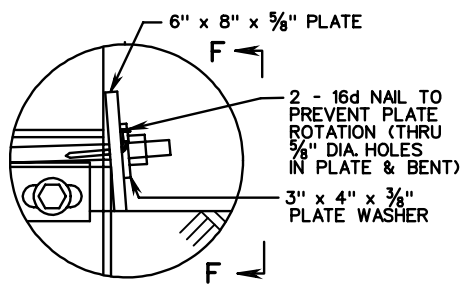
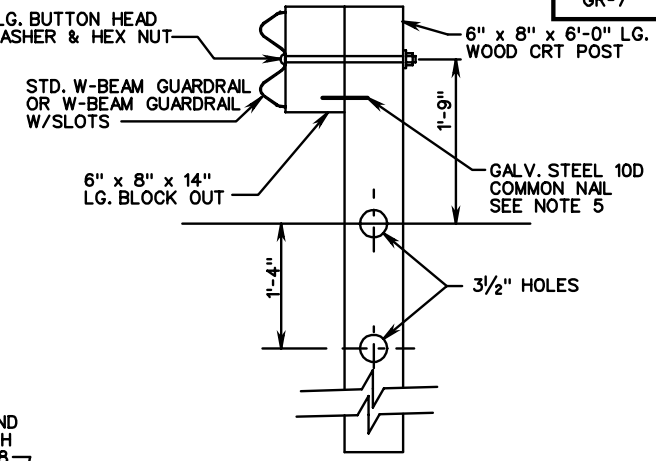


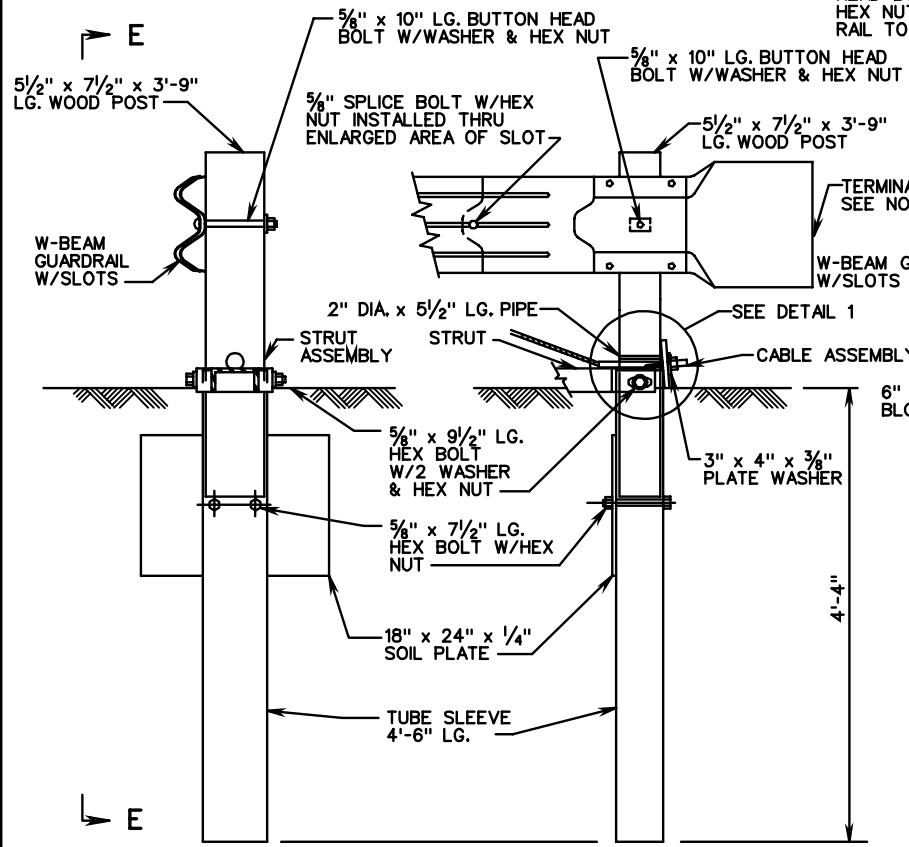
SECTION F - F



DETAIL 1

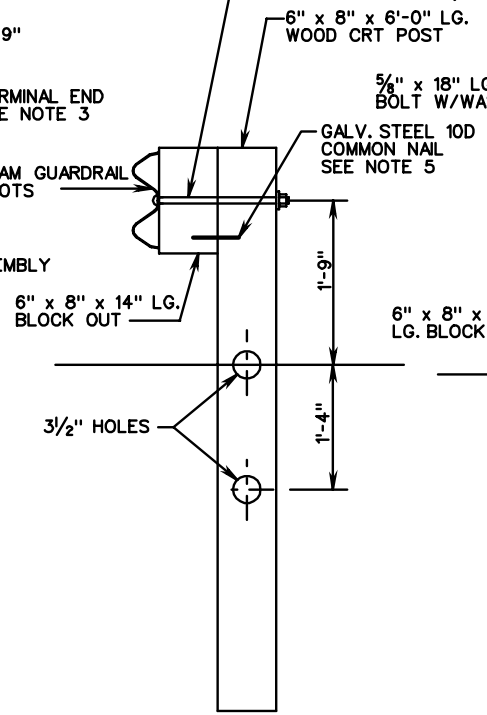


SECTION "C-C"  
( @ POSTS #4 & #5)

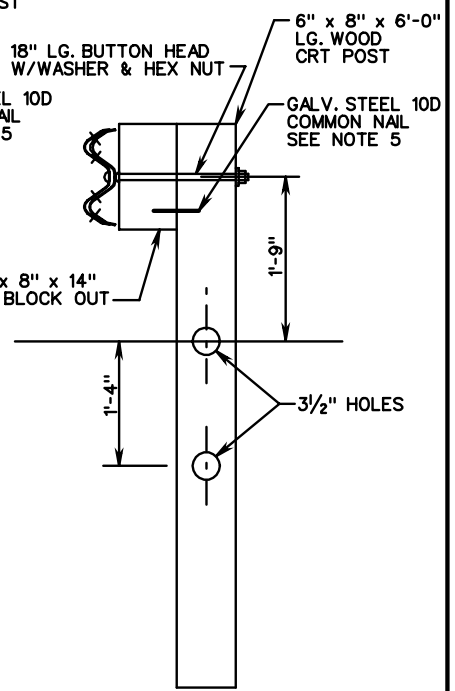


SECTION "A-A"

SECTION "E-E"



SECTION "D-D"  
( @ POSTS #7 & #8 )



SECTION "B-B"  
( @ POSTS #3 & #6)

SPECIFICATION REFERENCE
221 505

# BREAKAWAY CABLE TERMINAL

## 4' FLARE

VIRGINIA DEPARTMENT OF TRANSPORTATION