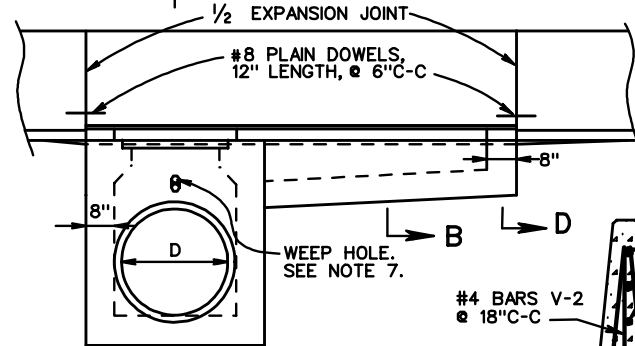
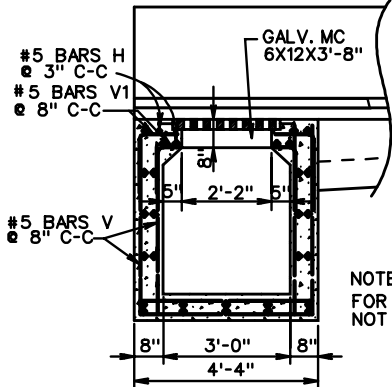


PLAN VIEW

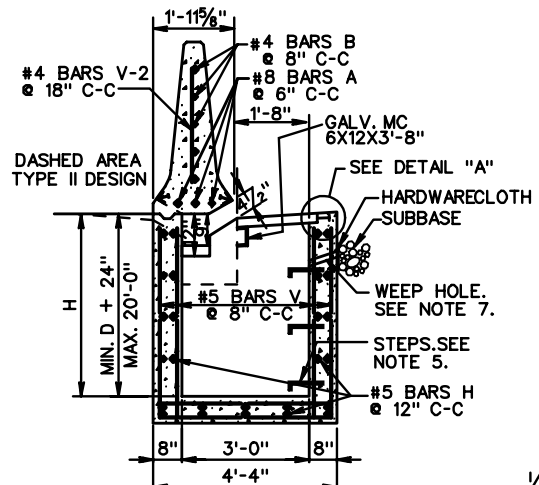


FRONT ELEVATION
(PAVEMENT REMOVED)

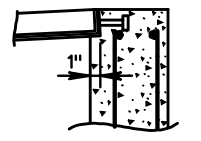


SECTION C-C

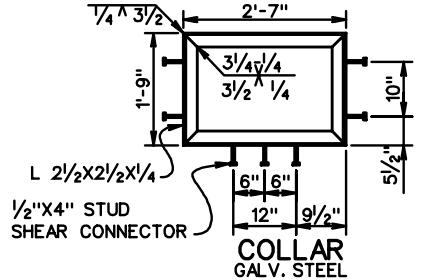
NOTE:
FOR DIMENSIONS, QUANTITIES AND NOTES
NOT SHOWN SEE SHEET 2 OF 2.



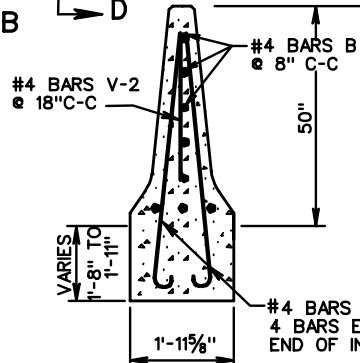
SECTION A-A
(PIPE NOT SHOWN)



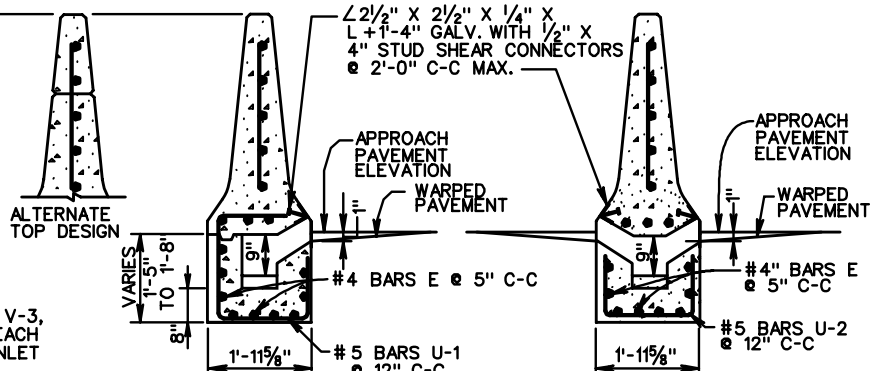
DETAIL "A"



COLLAR
GALV. STEEL

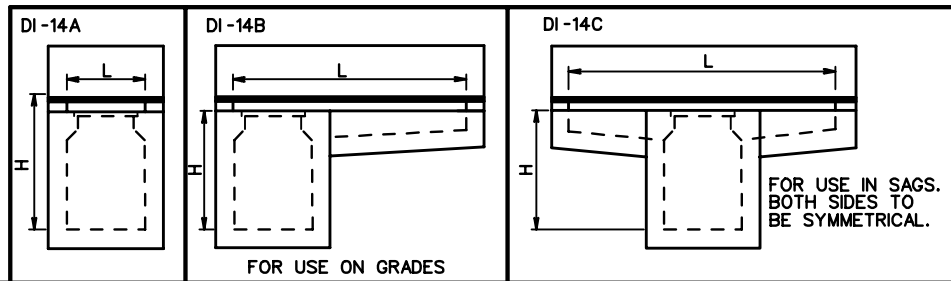


SECTION D-D



SECTION B-B

SECTION B-B



SHEET 1 OF 2

SPECIFICATION REFERENCE
233 302

CONCRETE MEDIAN BARRIER DROP INLET

12"-36" PIPE: DEPTH (H)=20'-0" MAX.

VIRGINIA DEPARTMENT OF TRANSPORTATION

REV. 2/06

104.38