

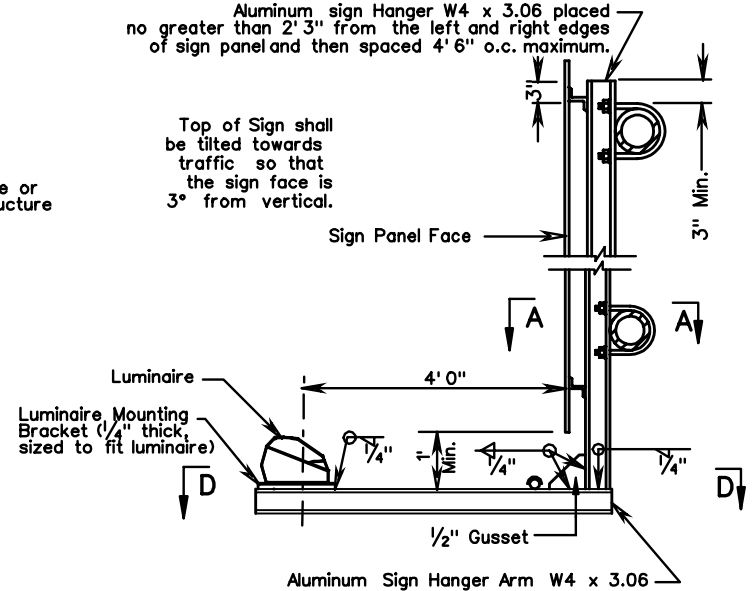
SIGN ATTACHMENT TO TRUSS-TYPE STRUCTURES

SIGN HANGER ERECTION DETAIL WITH LUMINAIRE

(WHEN NO LUMINAIRE RETRIEVAL SYSTEM IS REQUIRED)

Aluminum sign Hanger W4 x 3.06 placed no greater than 2' 3" from the left and right edges of sign panel and then spaced 4' 6" o.c. maximum.

Top of Sign shall be tilted towards traffic so that the sign face is 3° from vertical.



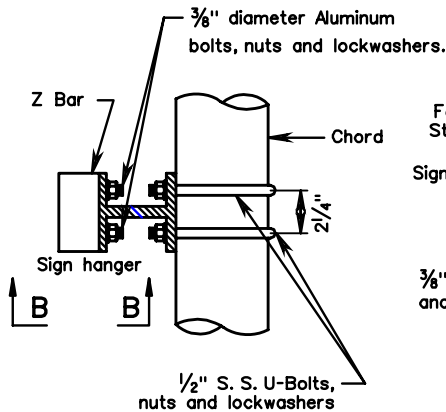
Note

Luminaires required only where indicated on the plans.

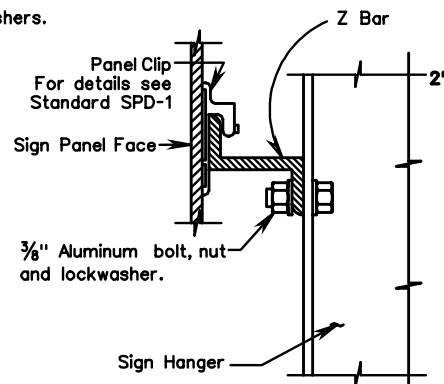
Luminaire to be attached to mounting bracket with 4, 3/8" Dia. galvanized cap screws and spring nuts.

Signs fabricated using the SPD-1 "Alternate Sign Panel Design" shall be attached to the sign hangers in accordance with SSP-VIA "Alternate Details for Type VIA Interstate Sign Structures", except that post clamps shall not be used. Post clamp bolts shall be inserted through holes drilled into the sign hangers and secured using a stainless steel lockwasher and nut.

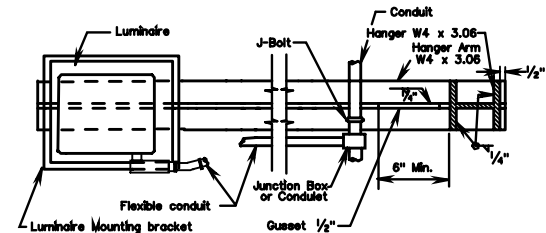
SECTION A-A



SECTION B-B



SECTION D-D



TYPICAL DETAILS FOR OVERHEAD SIGN STRUCTURES

VIRGINIA DEPARTMENT OF TRANSPORTATION