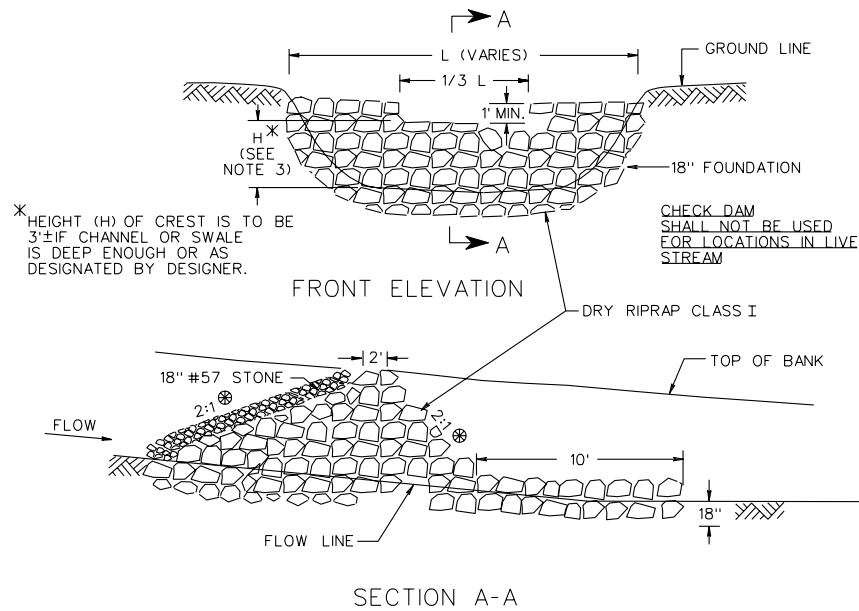
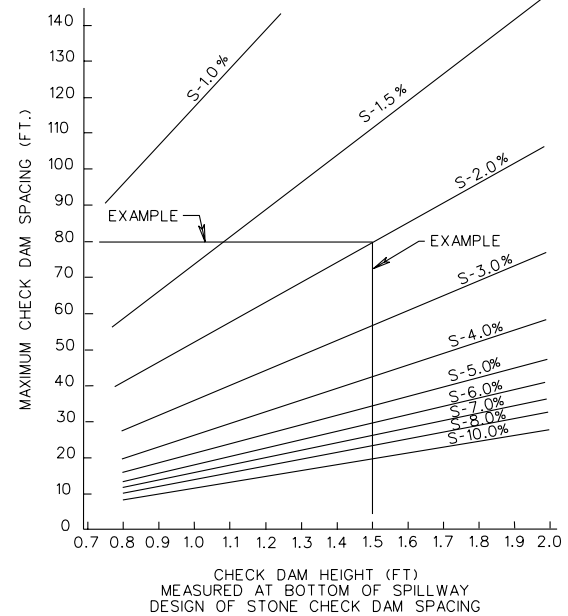


TYPICAL DETAIL FOR ROCK CHECK DAM TYPE I



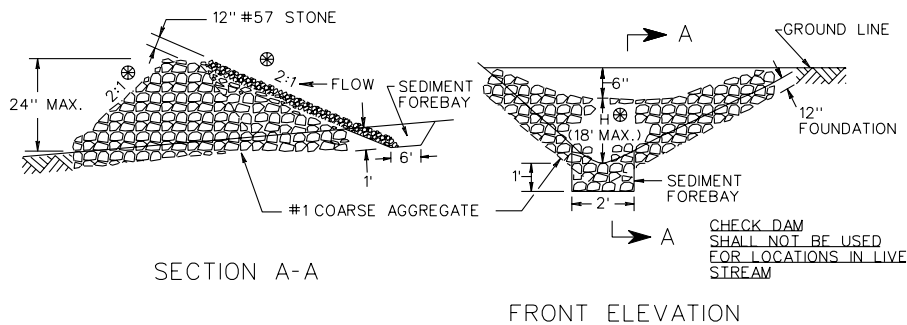
SUGGESTED ROCK CHECK DAM SPACING



EXAMPLE :

HEIGHT OF STRUCTURE 1.5'
 GRADE 2%
 EXTEND PERPENDICULAR FROM 1.5' HEIGHT TO INTERSECT 2% GRADE
 EXTEND 90° TO THE LEFT TO DETERMINE SPACING (78'±)

TYPICAL DETAIL FOR ROCK CHECK DAM TYPE II



NOTES:

- ROCK CHECK DAMS THAT ARE DESIGNATED ON THE PLANS AS A STORMWATER MANAGEMENT (SWM) ITEM ARE TO BE LEFT IN PLACE AS A PERMANENT INSTALLATION.
- WHERE DRAINAGE AREAS EXCEED 1 ACRE OR DITCH GRADE EXCEEDS 3%, A TEMPORARY SEDIMENT FOREBAY SHALL BE INSTALLED WITH MINIMUM DIMENSIONS OF 12" DEPTH, 2' WIDTH AND 6' LENGTH.
- IF CHECK DAMS IS LOCATED INSIDE CLEAR ZONE AND ADJACENT TO A TRAVELWAY, SLOPE FACING ON COMING TRAFFIC IS TO BE 6:1 AND MAXIMUM H IS TO BE 12".
- ALTERNATIVE MATERIALS ON VDOT'S SPEL LIST MAY BE SUBSTITUTED AT NO ADDITIONAL COST TO THE DEPARTMENT.

SPECIFICATION REFERENCE

107
303

ROCK CHECK DAMS TYPE I & II

VIRGINIA DEPARTMENT OF TRANSPORTATION