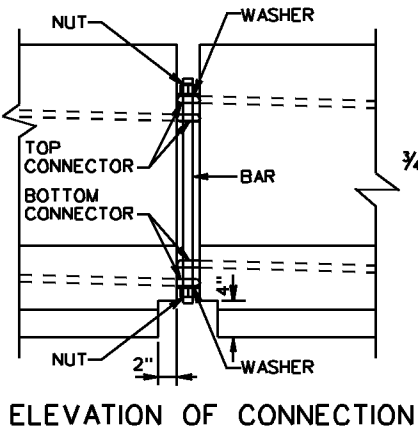
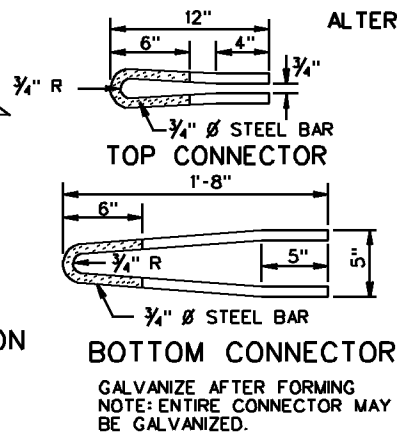
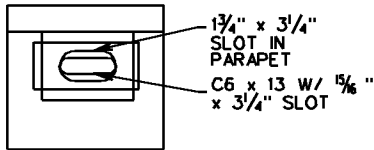
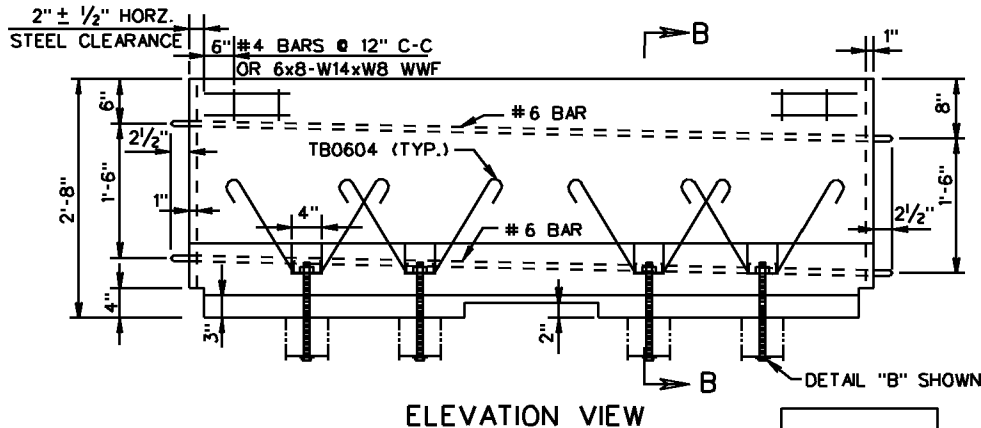
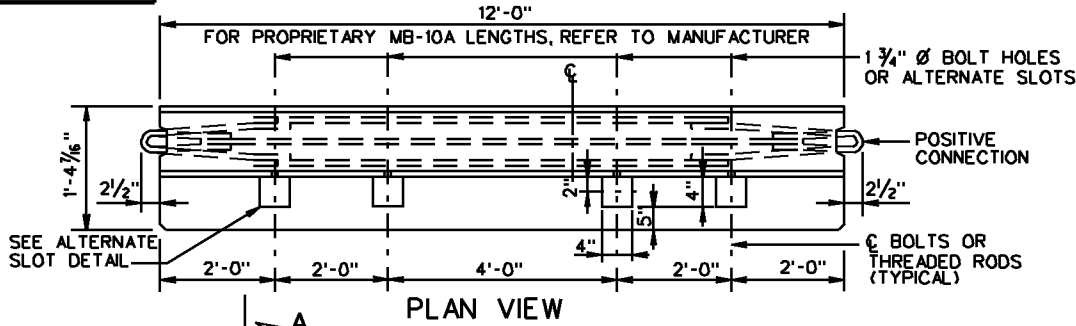


MB-10A

A

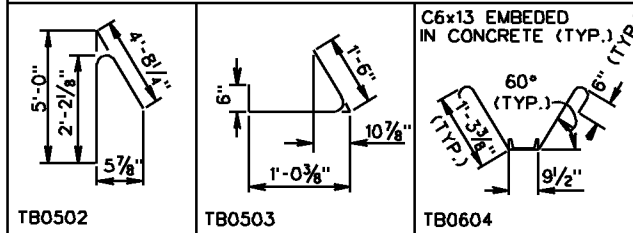


REINFORCING STEEL SCHEDULE

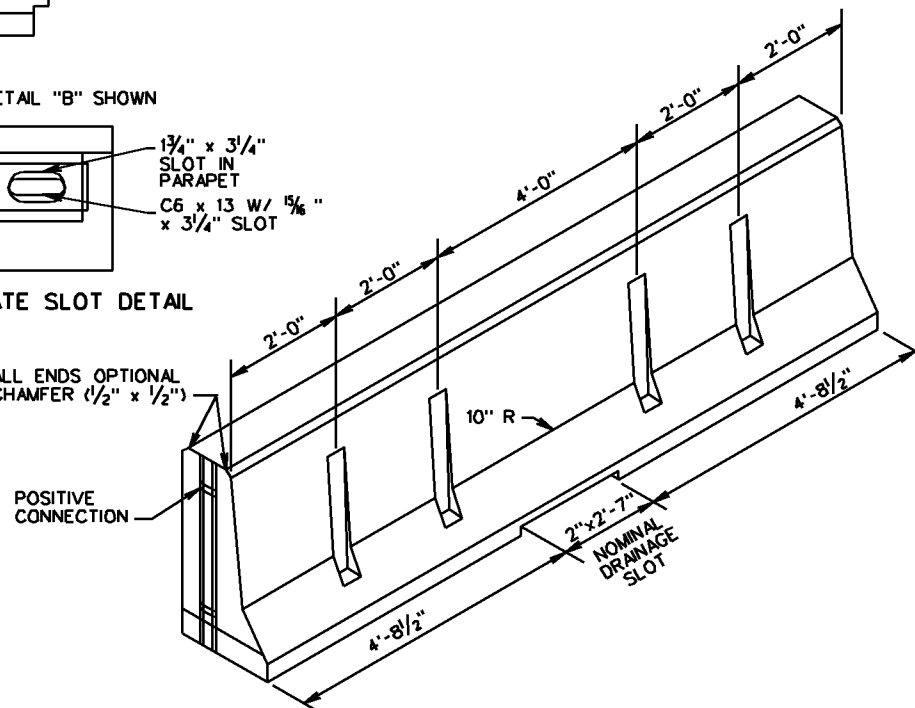
FOR ONE (1) SECTION

MARK	No.	SIZE	LENGTH	PIN Ø	LOCATION
TB0401	8	4	1'-5"	—	TEMP. PARAPET
TB0502	12	5	4'-3"	2 1/2"	"
TB0503	12	5	2'-8"	2 1/2"	"
TB0604	8	6	4'-8"	4 1/2"	"

BENDING DIAGRAM



DIMENSIONS IN BENDING DIAGRAMS ARE OUT-TO-OUT OF BARS, EXCEPT AS SHOWN.
POUNDS OF REINFORCING STEEL = 202
REINFORCING SCHEDULE BASED ON 12'-0" UNIT LENGTH.



VDOT

ROAD AND BRIDGE STANDARDS

SHEET 1 OF 2

REVISION DATE

502.11

01/09

TRAFFIC BARRIER SERVICE CONCRETE PARAPET (SINGLE FACE)

(FOR TEMPORARY INSTALLATION ON BRIDGE DECK EXTERIOR)

VIRGINIA DEPARTMENT OF TRANSPORTATION

SPECIFICATION REFERENCE

105
502