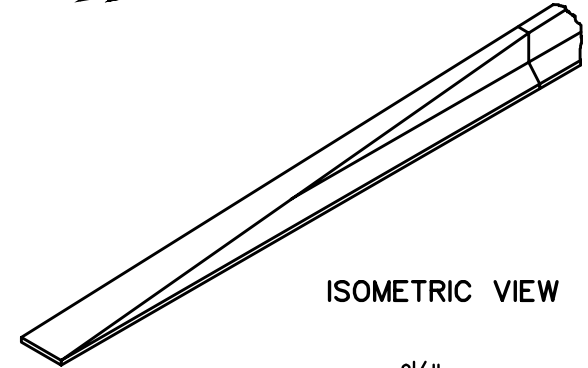


PLAN VIEW

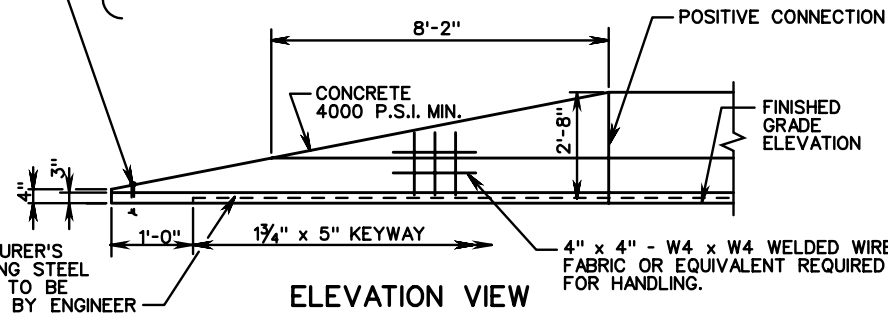


ISOMETRIC VIEW

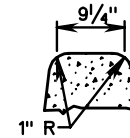
1" I.D. METAL SLEEVE
(REINFORCING STEEL
SHALL SURROUND
1" I.D. METAL SLEEVE)

USE 3/4" x 9" EXPANSION BOLTS FOR RIGID PAVEMENT
INSTALLATION ONLY (BOLTS TO BE REMOVABLE)

USE 3/4" x 3'-0" DRIFT PINS FOR FLEXIBLE
PAVEMENT INSTALLATIONS.

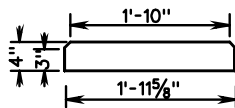


ELEVATION VIEW

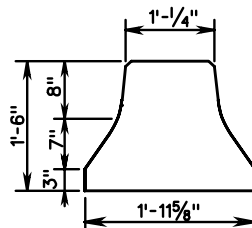


ALTERNATE TOP

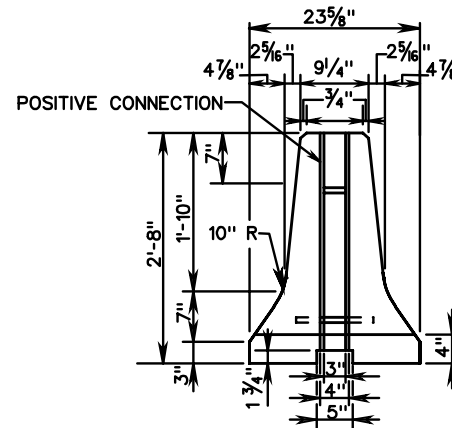
BASIS OF PAYMENT: CONCRETE MEDIAN BARRIER
12' TERMINAL SECTION IS TO BE MEASURED AND
PAID FOR IN LIN. FT. ST'D. MB-7D, OR LIN. FT.
OF TRAFFIC BARRIER SERVICE CONCRETE.



SECTION A-A



SECTION B-B



SECTION C-C

NOTES:

CONCRETE TO BE 4000 P.S.I..

REINFORCING STEEL TO BE GRADE 60.
ALL REINFORCING IS TO HAVE A MINIMUM
CONCRETE COVER OF 1/2".

FOR USE WHERE THE OPERATING SPEED IS
40 M.P.H. OR LESS.

LOCATION OF THE BARRIER END SECTIONS TO
BE AS NOTED ON PLANS OR AS APPROVED
BY THE ENGINEER.

FOR POSITIVE CONNECTION DETAILS AND
DIMENSIONS SEE STANDARD MB-INS.

ONLY FOR USE OUTSIDE OF CLEAR ZONE.

SPECIFICATION
REFERENCE

105

PRECAST CONCRETE MEDIAN BARRIER

12 FT. TERMINAL SECTION

VIRGINIA DEPARTMENT OF TRANSPORTATION

VDOT

ROAD AND BRIDGE STANDARDS

REVISION DATE

SHEET 1 OF 1

502.10