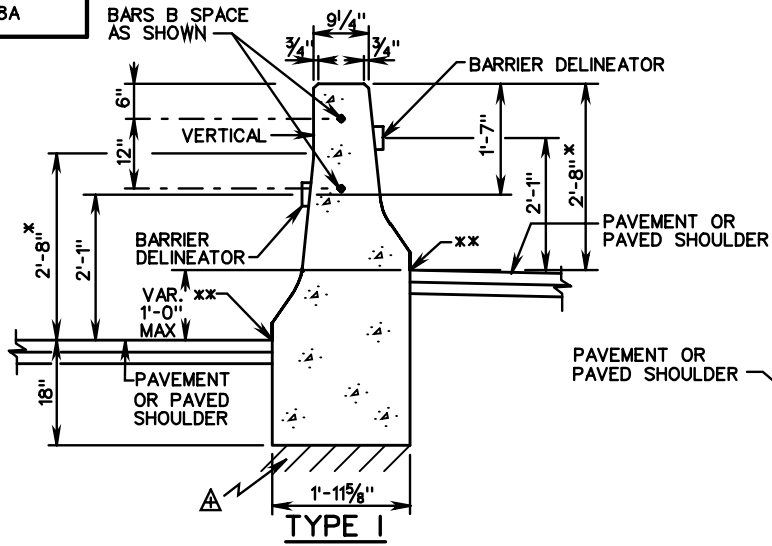
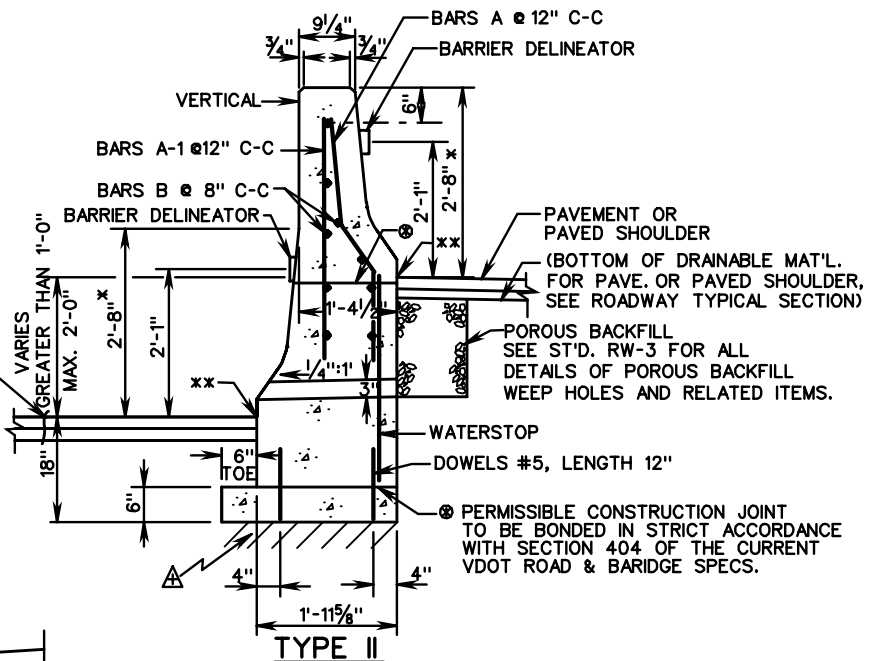


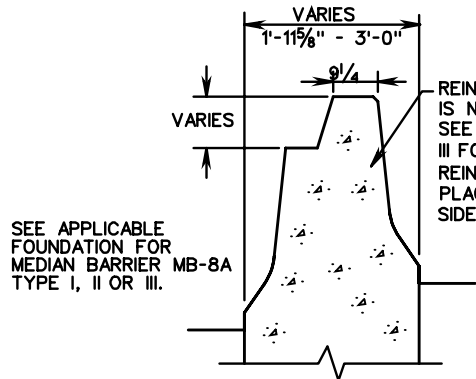
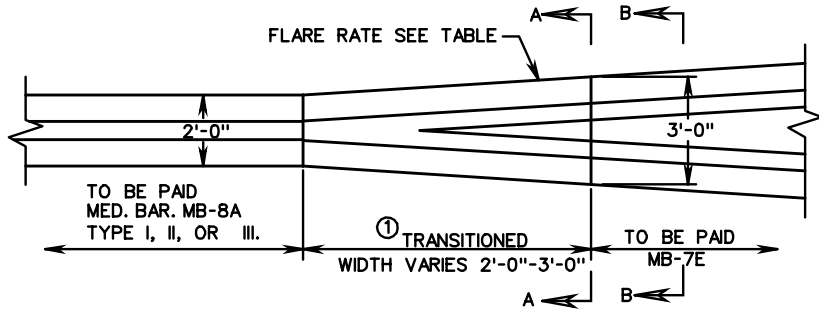
MB-8A



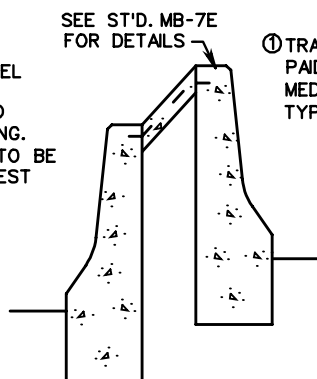
TYPE I (GREATER THAN 0 HT. DIFF., MAX. 1'-0")



TYPE II (GREATER THAN 1'-0" HT. DIFF., MAX. 2'-0")



SECTION A-A  
(FOUNDATION NOT SHOWN)



SECTION B-B  
(STD. MB-7E)

\* MB-7D BARRIER FACE

\*\* DENOTES FINISHED GRADE ELEVATION

△ FOUNDATION MATERIAL UNDER MEDIAN BARRIER IS TO BE COMPACTED.

**FLARE RATES**

DESIGN SPEED	INSIDE SHY LINE		Beyond SHY LINE
	SHY LINE LS	FLARE RATE	FLARE RATE
70	10'	30 : 1	20 : 1 ②
60	8'	26 : 1	18 : 1 ②
50	6.5'	21 : 1	14 : 1 ②
40	5'	16 : 1	10 : 1 ②
30	3.5'	13 : 1	8 : 1 ②

② MAXIMUM FLARE RATE FOR RIGID BARRIER SYSTEMS.



ROAD AND BRIDGE STANDARDS

SHEET 1 OF 2

REVISION DATE

502.07

**CONCRETE MEDIAN BARRIER**

TYPE I, II OR III

VIRGINIA DEPARTMENT OF TRANSPORTATION

SPECIFICATION REFERENCE

105  
404  
502