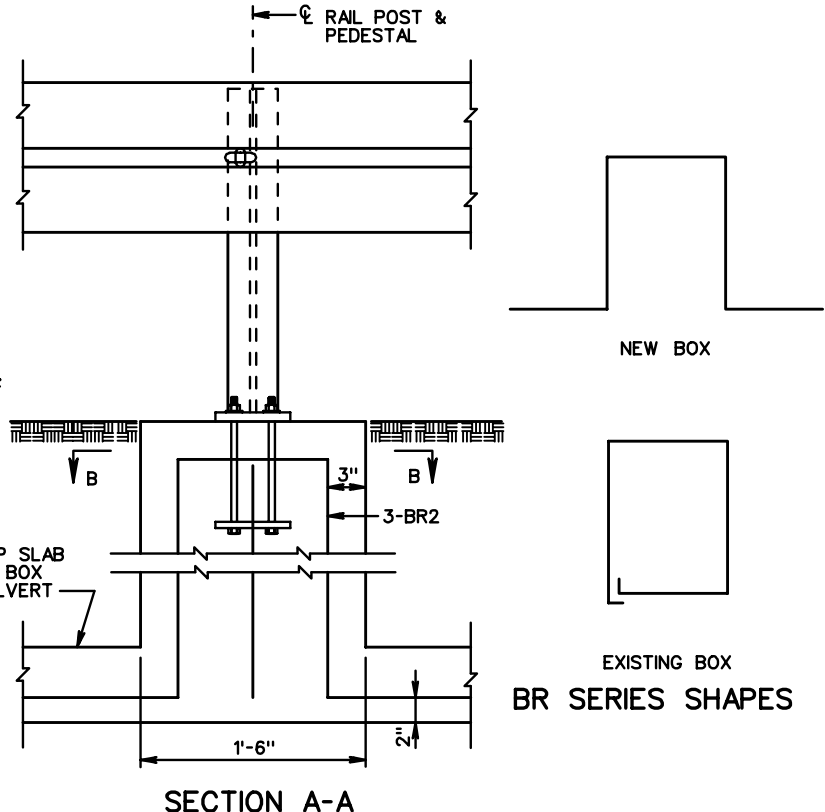
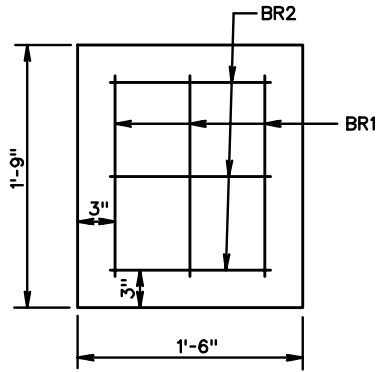


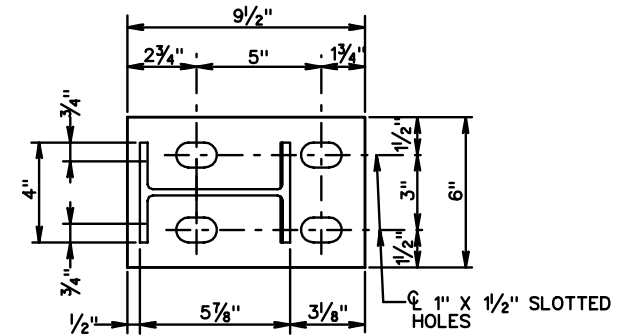
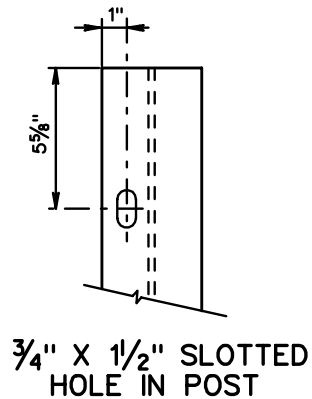
PART TRANSVERSE SECTION



SECTION A-A



SECTION B-B
(ANCHOR BOLTS NOT SHOWN)



5/8" BASE PLATE
(1" X 1/2" SLOTTED HOLES)

SPECIFICATION REFERENCE

STRUCTURE AND BRIDGE DIVISION

STANDARD BOX CULVERT GUARDRAIL (TEXAS T-6)

VIRGINIA DEPARTMENT OF TRANSPORTATION

VDOT

ROAD AND BRIDGE STANDARDS

REVISION DATE

SHEET 2 OF 3

501.23