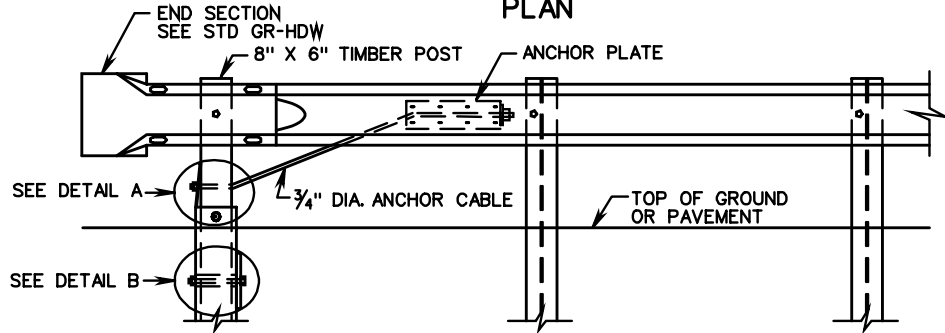
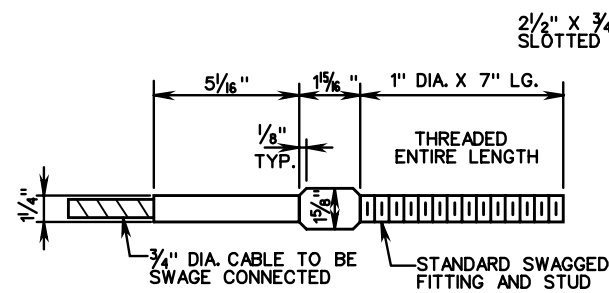


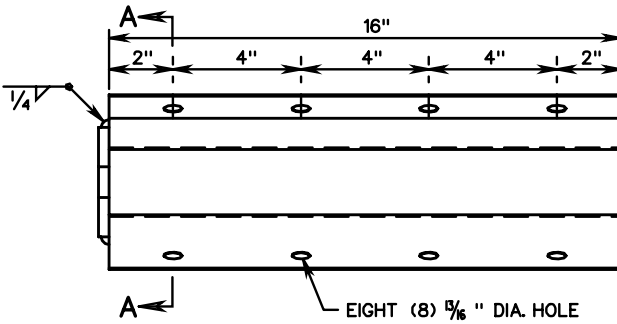
PLAN



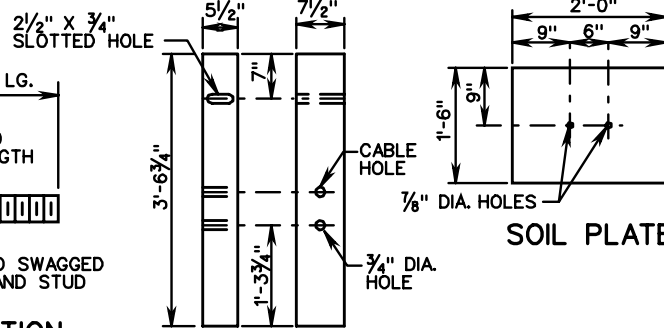
ELEVATION



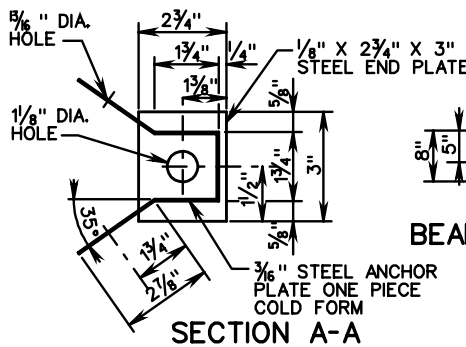
ANCHOR CABLE SWAGE CONNECTION TO THREADED STUD



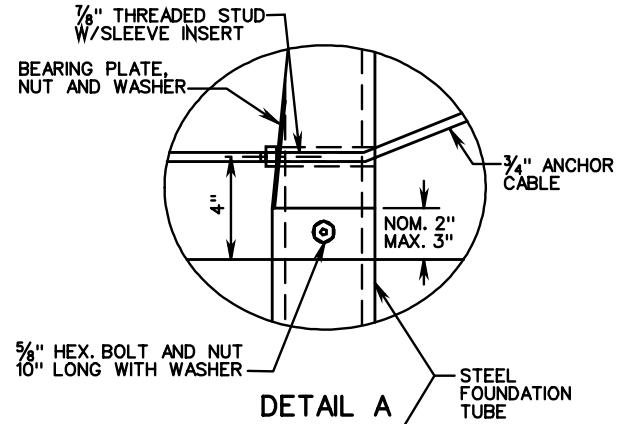
ANCHOR PLATE DETAILS



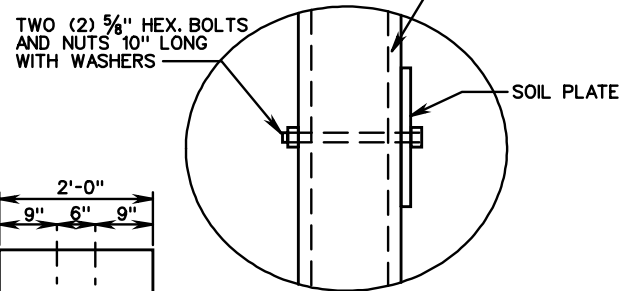
SHORT WOODEN POST



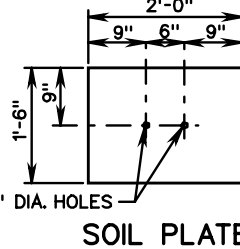
SECTION A-A



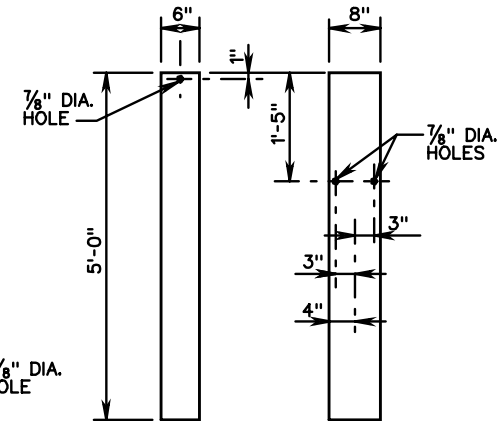
DETAIL A



DETAIL B



SOIL PLATE



BEARING PLATE

STEEL FOUNDATION TUBE

NOTE: USE OF THIS TERMINAL TREATMENT IS RESTRICTED TO RUN-OFF CONDITIONS ON DIVIDED HIGHWAYS.