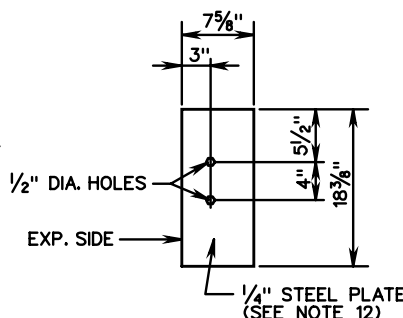
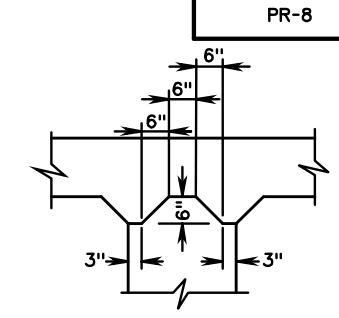


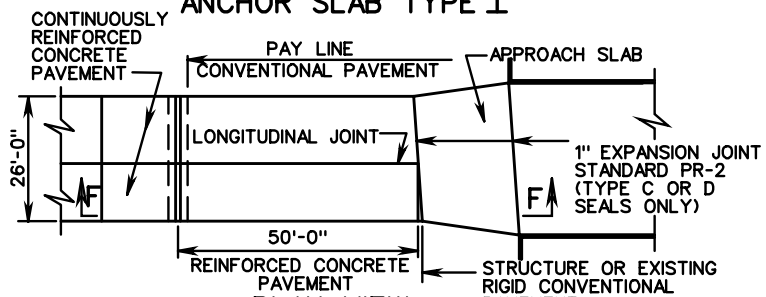
PLAN VIEW ANCHOR SLAB TYPE I



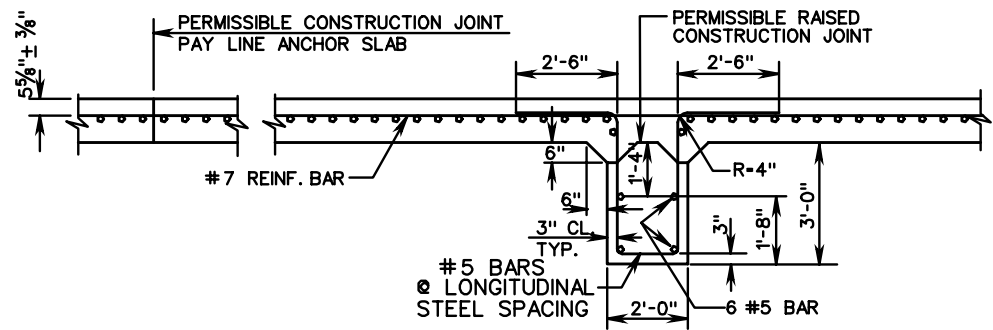
ANCHOR SLAB TYPE II END PLATE DETAIL



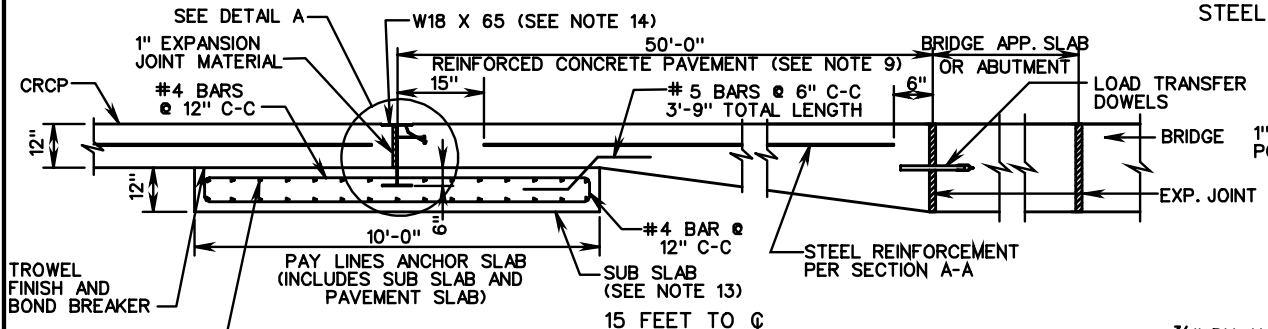
DETAIL A RAISED KEY CONSTRUCTION JOINT



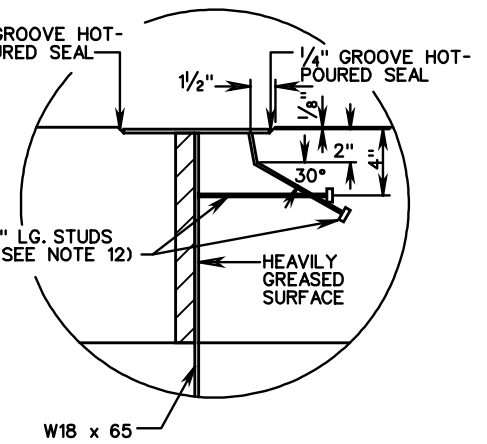
PLAN VIEW ANCHOR SLAB TYPE II



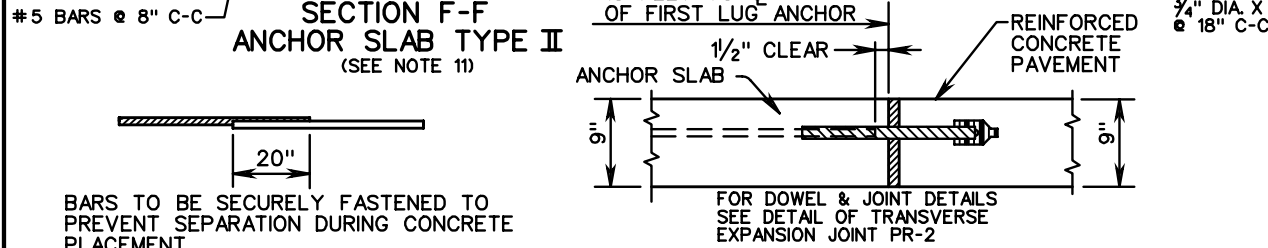
SECTION D-D



SECTION F-F ANCHOR SLAB TYPE II (SEE NOTE 11)



DETAIL A



SECTION E-E ANCHOR SLAB TYPE I



TYPICAL LONGITUDINAL LAP

SPECIFICATION REFERENCE

316

12" THICK CONTINUOUSLY REINFORCED CONC PAVE. (14' TRAVEL LANE)

VIRGINIA DEPARTMENT OF TRANSPORTATION

SEE SHEET 3 OF 3 FOR NOTES

VDOT

ROAD AND BRIDGE STANDARDS

REVISION DATE

SHEET 2 OF 3

301.23