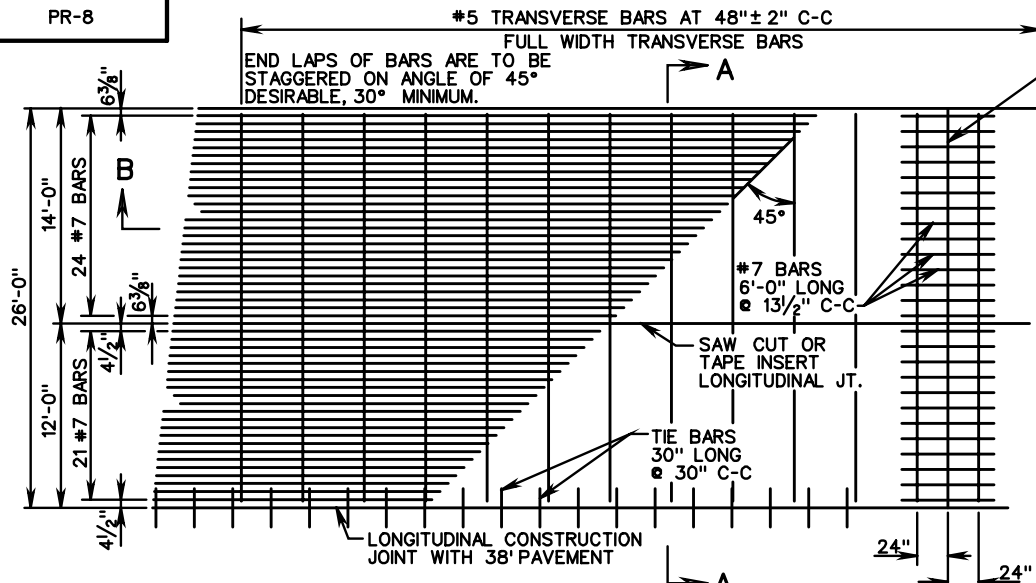
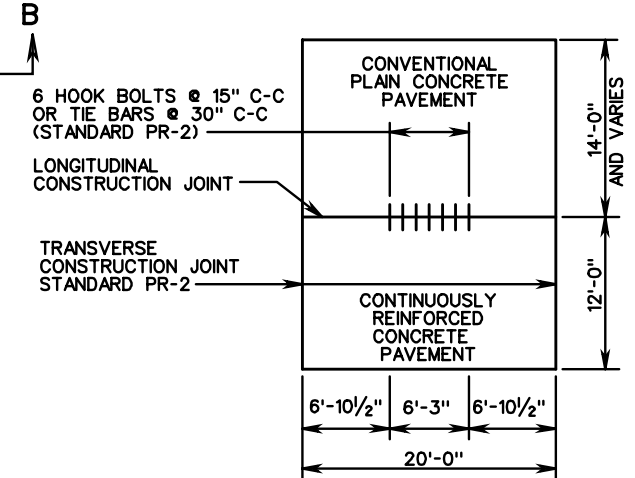


PR-8

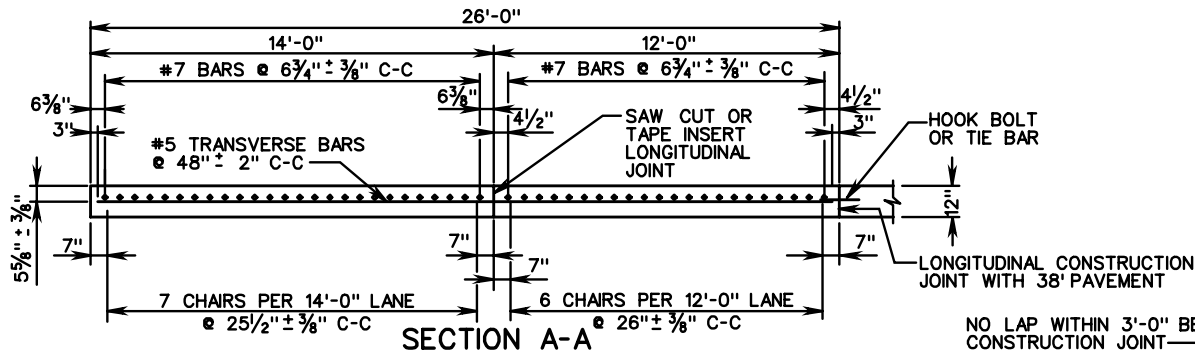


PLAN VIEW  
CONTINUOUSLY REINFORCED CONCRETE PAVEMENT

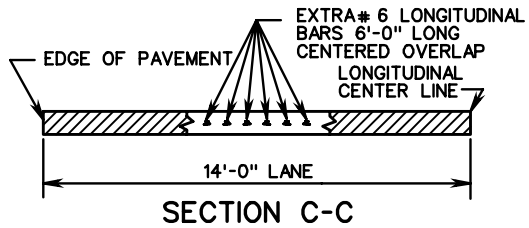
TRANSVERSE CONSTRUCTION JOINT. LONGITUDINAL STEEL TO CONTINUE THROUGH JOINT



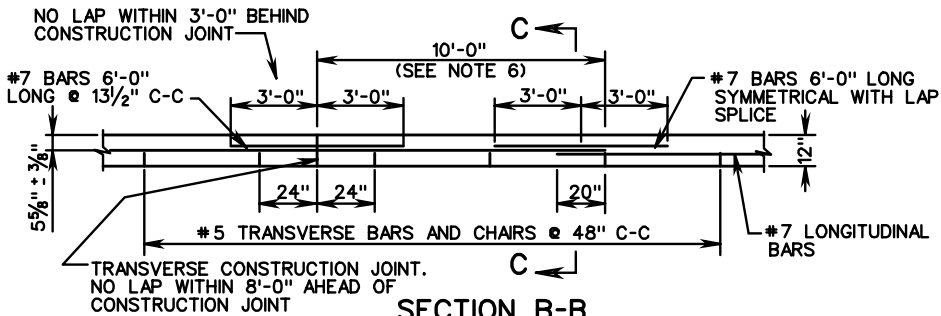
PLAN - RAMP AND MAIN LINE CONNECTION



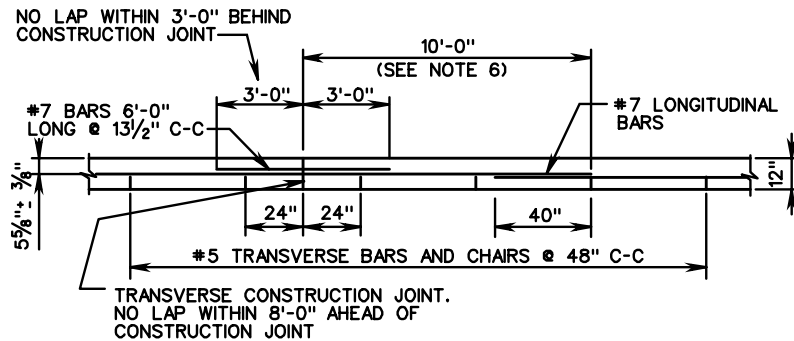
SECTION A-A



SECTION C-C



SECTION B-B  
EXTRA BAR METHOD



SECTION B-B  
DOUBLE LAP METHOD

SEE SHEET 3 OF 3 FOR NOTES



ROAD AND BRIDGE STANDARDS

12" THICK CONTINUOUSLY REINFORCED CONC. PAVE.  
(14' TRAVEL LANE)

SPECIFICATION REFERENCE

SHEET 1 OF 3

REVISION DATE

VIRGINIA DEPARTMENT OF TRANSPORTATION

301.22

316