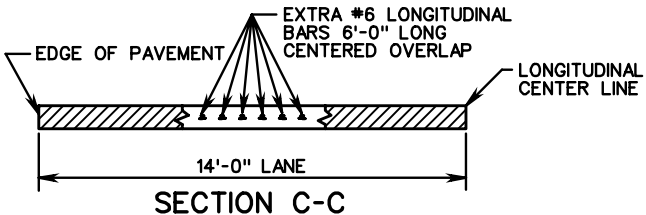
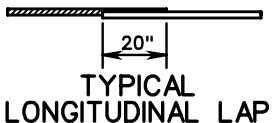


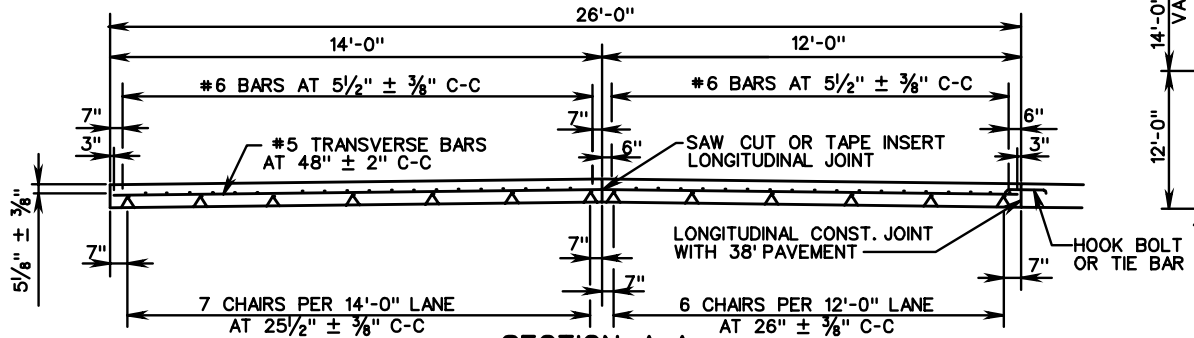
PLAN VIEW
CONTINUOUSLY REINFORCED CONCRETE PAVEMENT



SECTION C-C

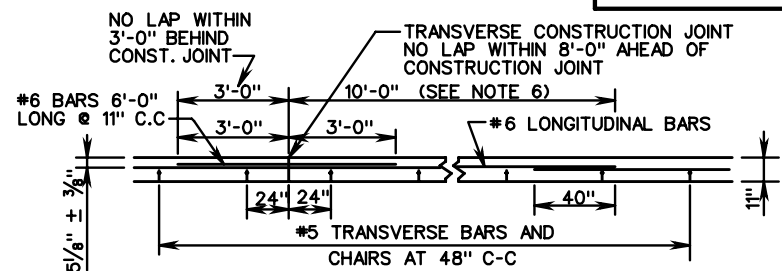


TYPICAL LONGITUDINAL LAP
BARS TO BE SECURELY FASTENED TO PREVENT SEPARATION DURING CONCRETE PLACEMENT.

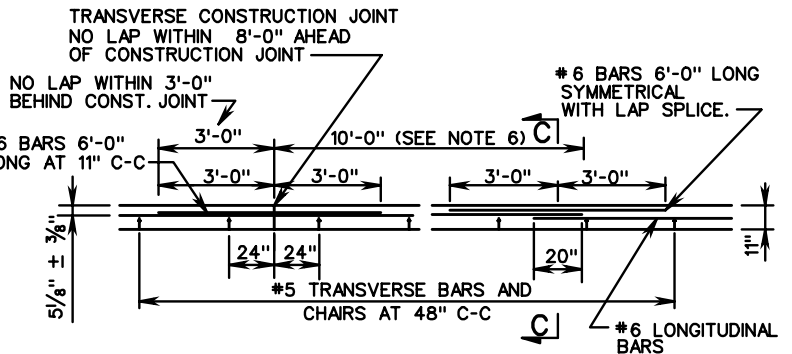


SECTION A-A

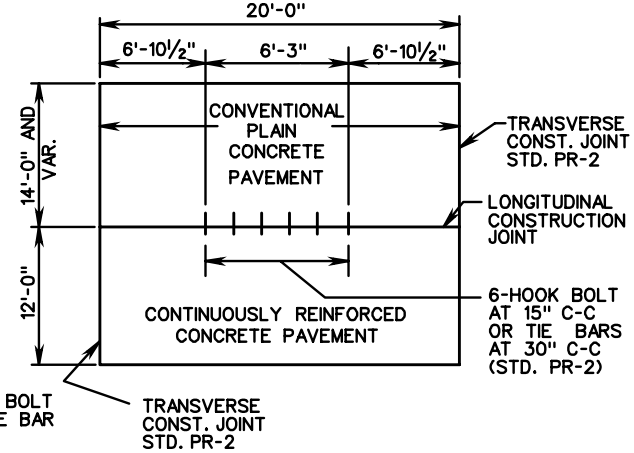
SEE SHEET 3 OF 3 FOR NOTES



SECTION B-B
DOUBLE LAP METHOD



SECTION B-B
EXTRA BAR METHOD



PLAN-RAMP & MAIN LINE
CONNECTION

SPECIFICATION REFERENCE
316

11" THICK CONTINUOUSLY REINFORCED CONC. PAVE.
(14 FOOT TRAVEL LANE)
VIRGINIA DEPARTMENT OF TRANSPORTATION

VDOT ROAD AND BRIDGE STANDARDS	
REVISION DATE	SHEET 1 OF 3
301.19	