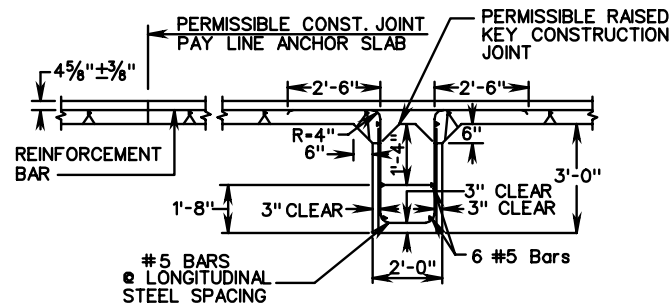
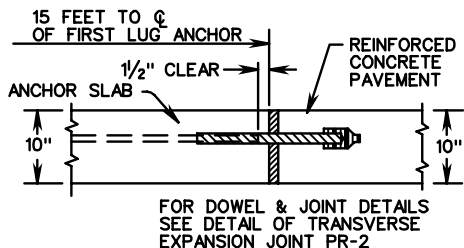


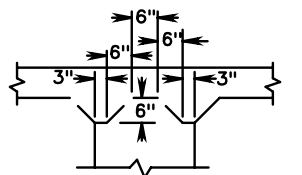
**PLAN VIEW
ANCHOR SLAB TYPE I**



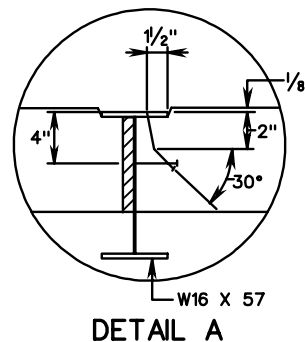
SECTION D-D



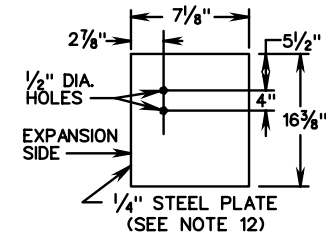
**SECTION E-E
ANCHOR SLAB TYPE I**



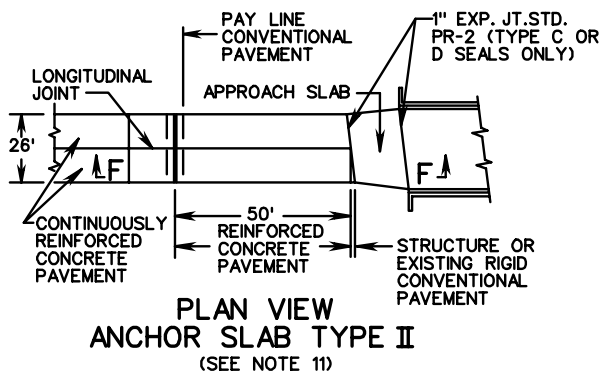
**DETAIL-RAISED KEY
CONSTRUCTION JOINT**



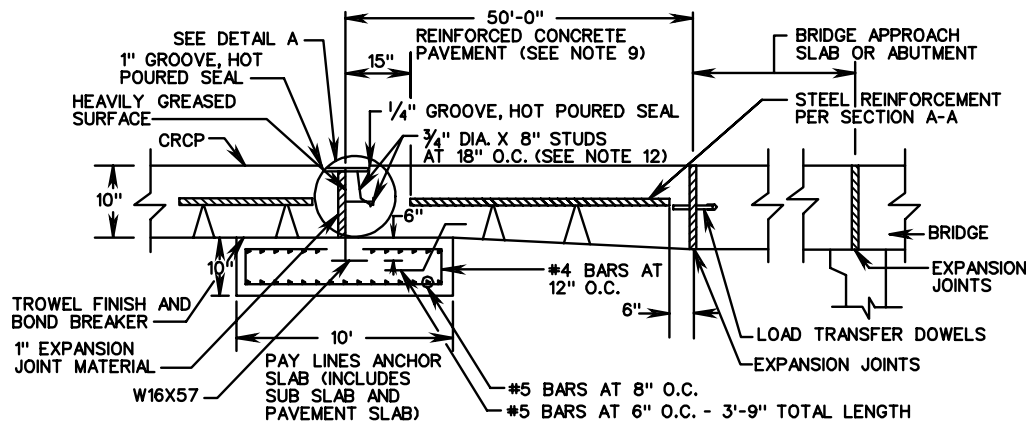
DETAIL A



**ANCHOR SLAB TYPE II
END PLATE DETAIL**



**PLAN VIEW
ANCHOR SLAB TYPE II
(SEE NOTE 11)**



**SECTION F-F
ANCHOR SLAB TYPE II**

SEE SHEET 3 OF 3 FOR NOTES

SPECIFICATION REFERENCE	10" THICK COUNTINUOUSLY REINFORCED CONC. PAVE. (14 FOOT TRAVEL LANE)	VDOT ROAD AND BRIDGE STANDARDS
316		