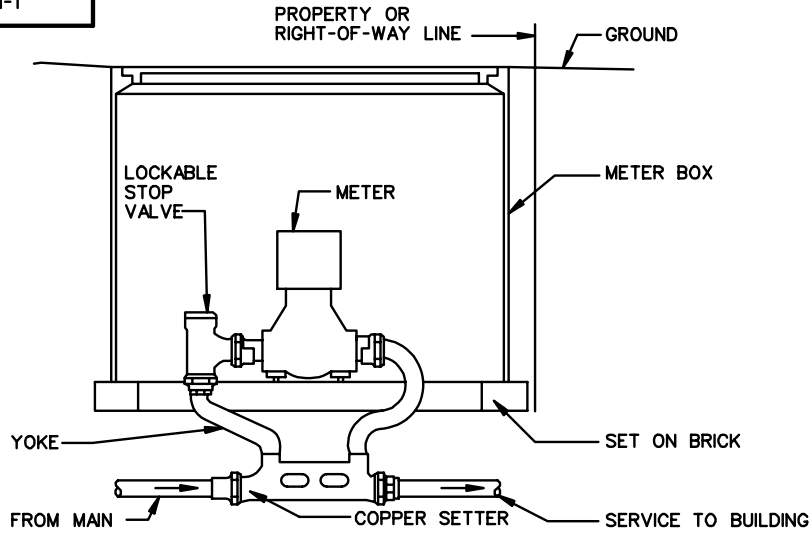
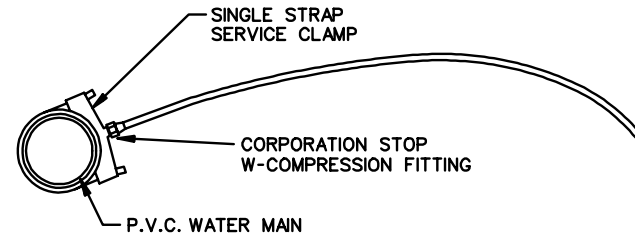


WM-1

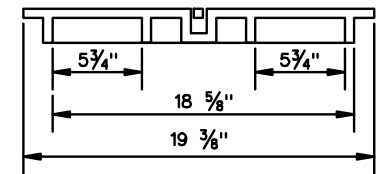


NOTE:

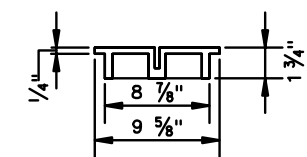
DETAIL IS FOR 5/8" THRU 1" DISC METERS



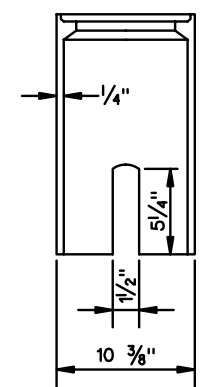
P.V.C. TAP INSTALLATION



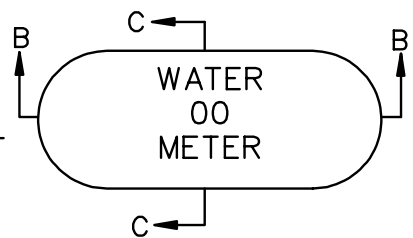
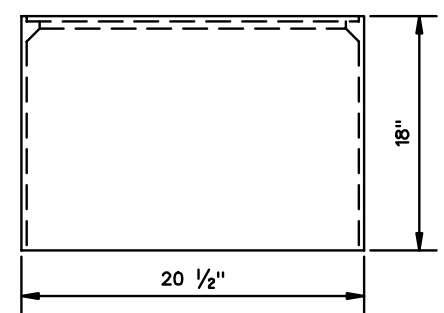
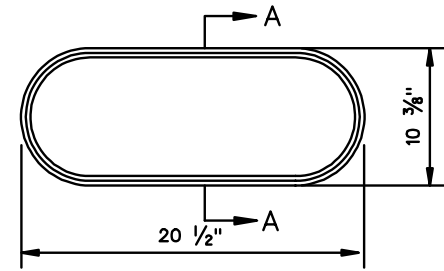
SECTION BB



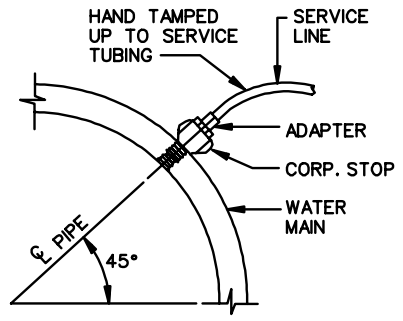
SECTION CC



SECTION AA



WATER METER BOX FOR 5/8" THRU 1" METER



C.I./D.I. TAP INSTALLATION

CAST IRON SHALL CONFORM TO ASTM A-48 CLASS 30S
ALL COPPER FITTINGS SHALL BE FLARED TYPE

VDOT	
ROAD AND BRIDGE STANDARDS	
SHEET 1 OF 1	REVISION DATE
1408.01	

WATER METER AND BOX (WATER SERVICE LINES)

VIRGINIA DEPARTMENT OF TRANSPORTATION

SPECIFICATION REFERENCE