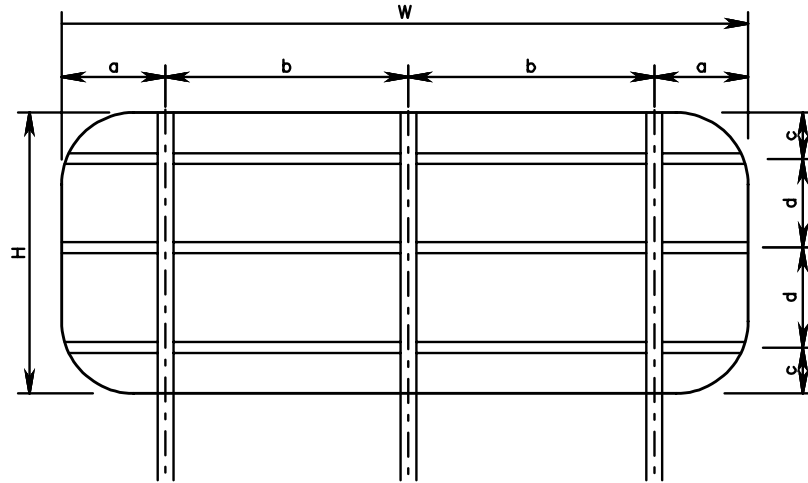
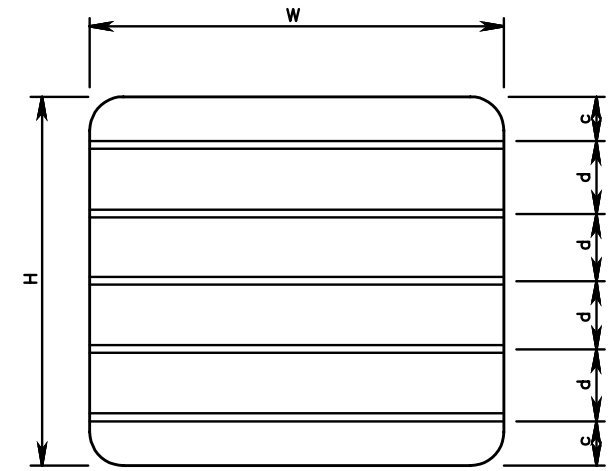


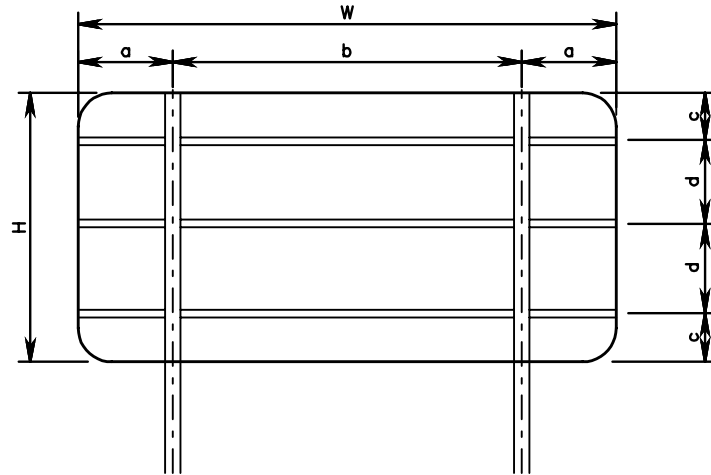
SIGN PANEL  
DETAIL



SIGN PANEL  
DETAIL



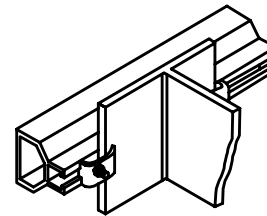
SIGN PANEL  
DETAIL



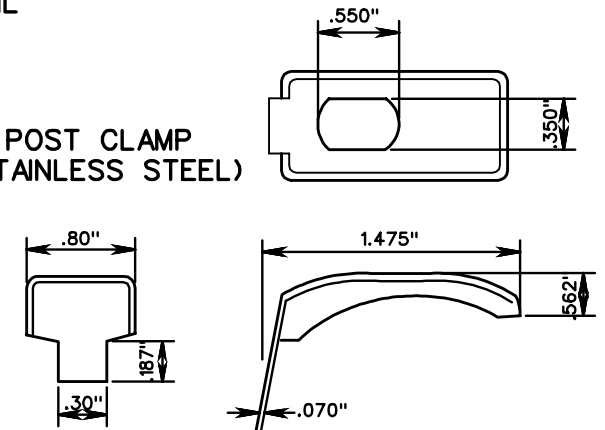
POST CLAMP BOLT  
(STAINLESS STEEL)



STIFFENER TO POST  
ATTACHMENT DETAIL



POST CLAMP  
(STAINLESS STEEL)



SPECIFICATION  
REFERENCE

701

# SIGN PANEL DESIGN

VIRGINIA DEPARTMENT OF TRANSPORTATION

**VDOT**

ROAD AND BRIDGE STANDARDS

REVISION DATE

SHEET 1 OF 3

1325.70