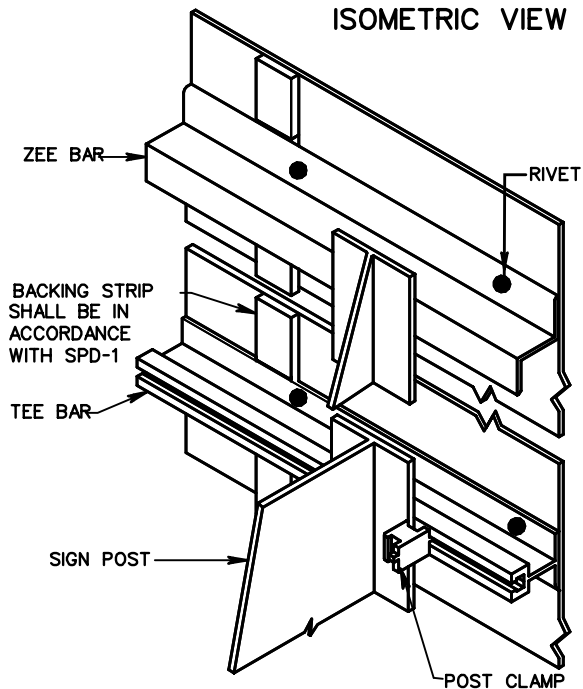


ISOMETRIC VIEW

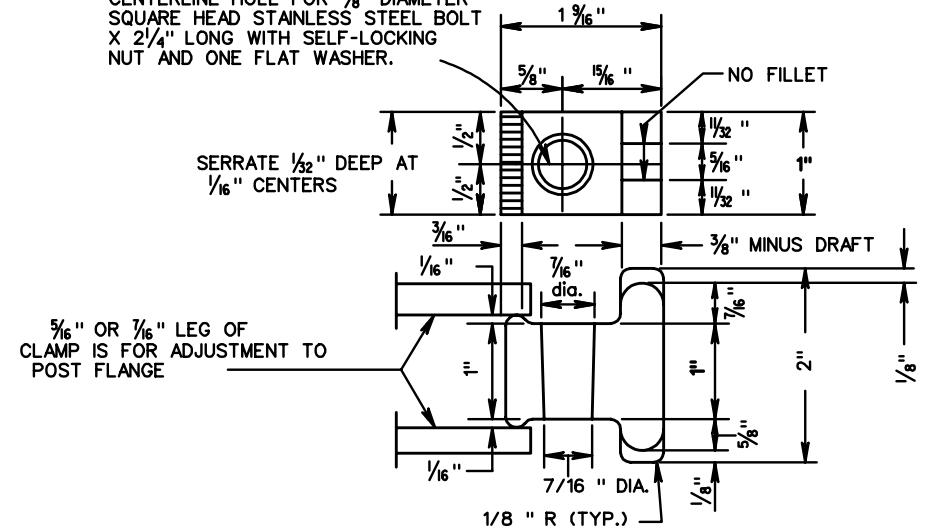


UNLESS OTHERWISE NOTED THE TOP OF THE SIGN PANEL SHALL NOT EXTEND ABOVE THE SIGN POST NO GREATER THAN THE DISTANCE OF 1/2 C.

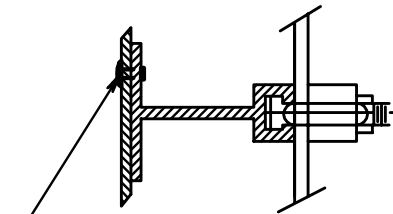
POST CLAMP DETAIL

GALVANIZED GRAY - IRON OR ALUMINUM CASTING

CENTERLINE HOLE FOR 3/8" DIAMETER SQUARE HEAD STAINLESS STEEL BOLT X 2 1/4" LONG WITH SELF-LOCKING NUT AND ONE FLAT WASHER.

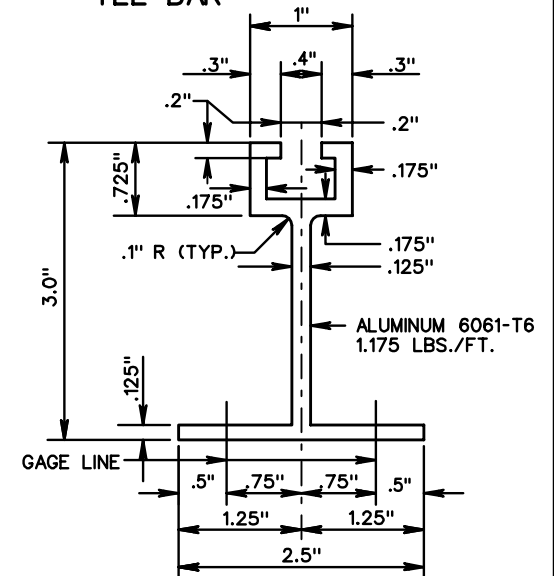


FASTENING



3/16" DIAMETER RIVET. -RIVETS SHALL BE DOME HEAD, BREAK MANDREL, BLIND RIVETS CONFORMING TO INDUSTRIAL FASTENERS INSTITUTE STANDARD IFI-114, STYLE 1, GRADES 10 OR 11 EXCEPT THAT THE MINIMUM ULTIMATE TENSILE STRENGTH SHALL BE 360 POUNDS. RIVETS SHALL HAVE A GRIP RANGE ACCOMMODATING THE COMBINED THICKNESS OF THE SIGN PANEL AND ZEE BAR AND SHALL BE INSTALLED IN ACCORDANCE WITH THE MANUFACTURER'S RECOMMENDATIONS.

TEE BAR



ZEE BARS		
TYPE	SIZE	WEIGHT
A	2 3/8" x 1/4" x 3/16"	1.00LBS./FT.
B	3" x 2 1/16" x 1/4"	2.40LBS./FT.
C	4" x 3/16" x 1/4"	2.93LBS./FT.
D	5" x 3/4" x 5/16"	4.13LBS./FT.
E	6" x 3/2" x 3/8"	5.58LBS./FT.

SPECIFICATION REFERENCE

700
701

SIGN PANEL DESIGN

VIRGINIA DEPARTMENT OF TRANSPORTATION



ROAD AND BRIDGE STANDARDS

REVISION DATE SHEET 3 OF 3

1325.32