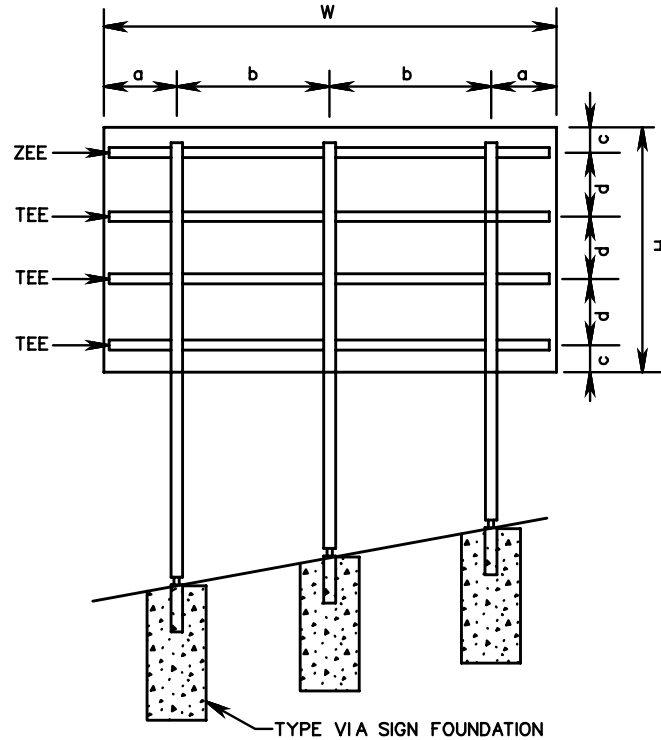


SIGN PANEL ATTACHMENT DETAILS										SIGN PANEL DIMENSIONS		SIGN PANEL ATTACHMENT DETAILS							
SIGN PANEL DIMENSIONS		a	b	c	d	ZEE BAR		TEE	CLAMPS	W	H	a	b	c	d	ZEE BAR		TEE	CLAMPS
W	H					NO.	SIZE	NO.	NO.									NO.	SIZE
24'	10'	5'-4"	13'-4"	18"	3'-6"	3	D	0	0	28'	14'	4'-2"	9'-10"	18"	3'-8"	1	B	3	18
26'	10'	5'-10"	14'-4"	18"	3'-6"	3	D	0	0	30'	14'	4'-6"	10'-6"	18"	3'-8"	1	B	3	18
28'	10'	6'-3"	15'-6"	18"	3'-6"	3	D	0	0	16'	16'	3'-6"	9'-0"	18"	3'-3"	1	B	4	16
30'	10'	7'-3"	15'-6"	18"	3'-6"	3	D	0	0	18'	16'	4'-0"	10'-0"	18"	3'-3"	1	B	4	16
10'	9'	1'-0"	8'-0"	18"	3'-0"	1	B	2	8	20'	16'	2'-0"	8'-0"	18"	3'-3"	1	B	4	24
12'	9'	2'-0"	8'-0"	18"	3'-0"	1	B	2	8	22'	16'	3'-0"	8'-0"	18"	3'-3"	1	B	4	24
14'	9'	3'-0"	8'-0"	18"	3'-0"	1	B	2	8	24'	16'	3'-7"	8'-5"	18"	3'-3"	1	B	4	24
16'	9'	3'-6"	9'-0"	18"	3'-0"	3	C	0	0	26'	16'	3'-10"	9'-2"	18"	3'-3"	1	B	4	24
18'	9'	4'-0"	10'-0"	18"	3'-0"	3	C	0	0	28'	16'	4'-2"	9'-10"	18"	3'-3"	1	B	4	24
20'	9'	4'-6"	11'-0"	18"	3'-0"	3	C	0	0	30'	16'	4'-6"	10'-6"	18"	3'-3"	1	B	4	24
22'	9'	4'-10"	12'-4"	18"	3'-0"	3	D	0	0										
24'	9'	5'-4"	13'-4"	18"	3'-0"	3	D	0	0										
26'	9'	5'-10"	14'-4"	18"	3'-0"	3	D	0	0										
28'	9'	6'-10"	14'-4"	18"	3'-0"	3	D	0	0										
30'	9'	7'-10"	14'-4"	18"	3'-0"	3	D	0	0										
12'	12'	2'-0"	8'-0"	18"	3'-0"	1	B	3	12										
14'	12'	3'-0"	8'-0"	18"	3'-0"	1	B	3	12										
16'	12'	3'-6"	9'-0"	18"	3'-0"	1	B	3	12										
18'	12'	4'-0"	10'-0"	18"	3'-0"	1	B	3	12										
20'	12'	4'-6"	11'-0"	21"	4'-3"	3	B	0	0										
22'	12'	4'-10"	12'-4"	21"	4'-3"	3	C	0	0										
24'	12'	5'-4"	13'-4"	21"	4'-3"	3	C	0	0										
26'	12'	3'-10"	9'-2"	21"	4'-3"	1	B	2	12										
28'	12'	4'-2"	9'-10"	21"	4'-3"	1	B	2	12										
30'	12'	4'-6"	10'-6"	21"	4'-3"	1	B	2	12										
14'	14'	3'-0"	8'-0"	18"	3'-8"	1	B	3	12										
16'	14'	3'-6"	9'-0"	18"	3'-8"	1	B	3	12										
18'	14'	4'-0"	10'-0"	18"	3'-8"	1	B	3	12										
20'	14'	4'-6"	11'-0"	18"	3'-8"	1	B	3	12										
22'	14'	3'-0"	8'-0"	18"	3'-8"	1	B	3	18										
24'	14'	3'-7"	8'-5"	18"	3'-8"	1	B	3	18										
26'	14'	3'-10"	9'-2"	18"	3'-8"	1	B	3	18										



ROAD AND BRIDGE STANDARDS

SHEET 2 OF 3

REVISION DATE

1325.31

SIGN PANEL DESIGN

VIRGINIA DEPARTMENT OF TRANSPORTATION

SPECIFICATION REFERENCE

701