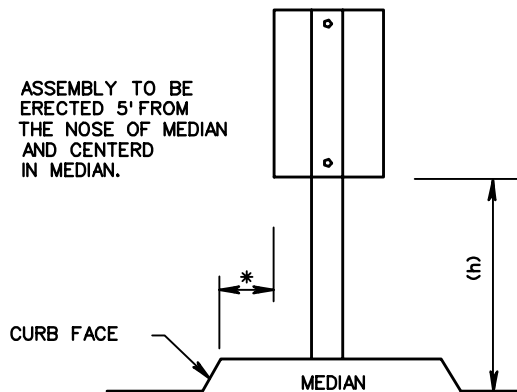
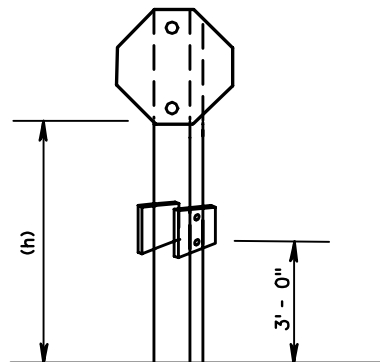


ASSEMBLY TO BE
ERECTED 5' FROM
THE NOSE OF MEDIAN
AND CENTERD
IN MEDIAN.

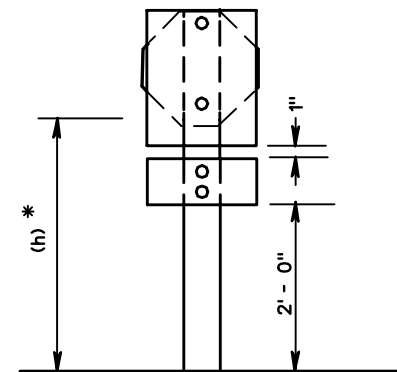


* 2' FOR MEDIANS OVER 10' IN WIDTH. 12"
FOR MEDIANS 10' OR LESS IN WIDTH.

**SINGLE POST
MEDIAN INSTALLATIONS**

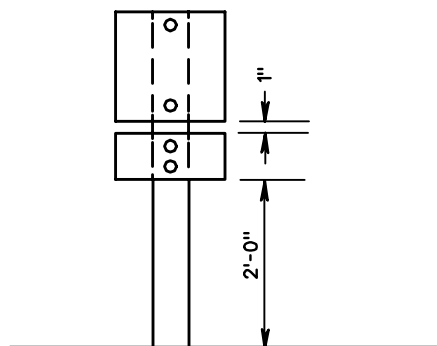


**ONE WAY SIGNS
ON EXIT RAMP
WITH STOP SIGN**

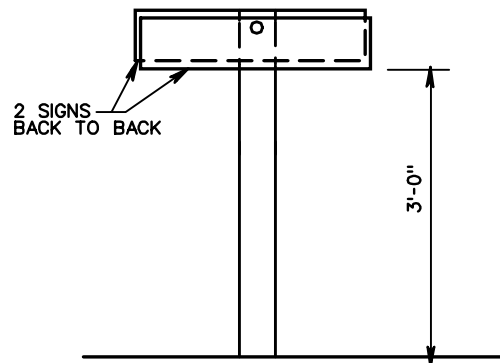


* TO BOTTOM OF STOP SIGN
OR YIELD SIGN

**STOP OR YIELD SIGNS AND
DO NOT ENTER SIGN
AT EXIT RAMP**



**WRONG WAY SIGN
AND DO NOT ENTER SIGN
ON EXIT RAMP**



**ONE WAY SIGNS
ON EXIT RAMP**

SPECIFICATION
REFERENCE

700

SQUARE TUBE SIGN POST

VIRGINIA DEPARTMENT OF TRANSPORTATION

VDOT

ROAD AND BRIDGE STANDARDS

REVISION DATE

SHEET 3 OF 3

1321.12