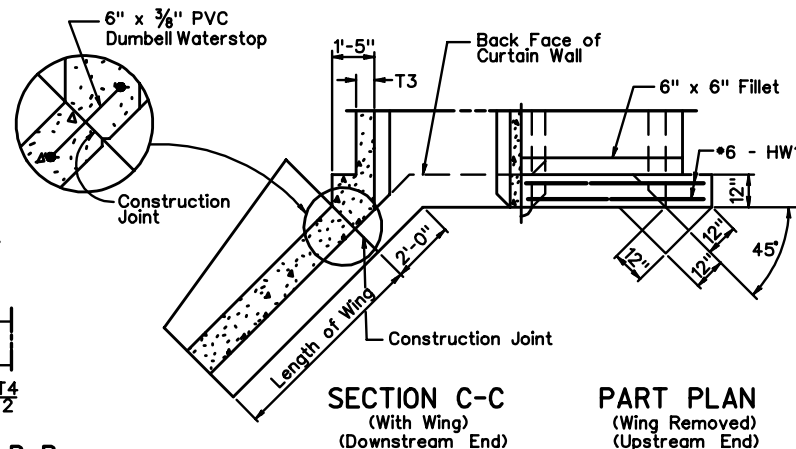
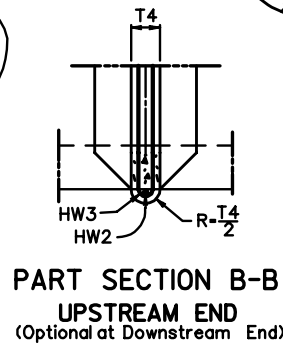
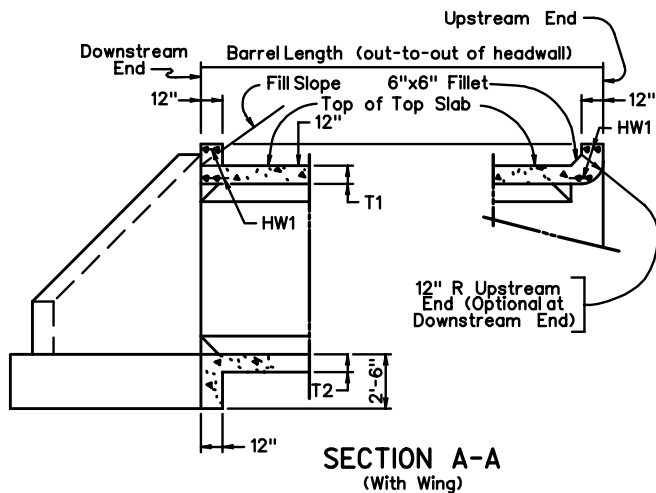


TABLE A

Bar Size	Pin Dia.
•3	2 1/4"
•4	3"
•5	3 3/4"
•6	4 1/2"
•7	5 1/4"
•8	6"
•9	9"



ROAD AND BRIDGE STANDARDS

SHEET 3 OF 3

REVISION DATE

1004.03

TRIPLE BOX CULVERTS
STANDARD DETAILS

VIRGINIA DEPARTMENT OF TRANSPORTATION

SPECIFICATION REFERENCE