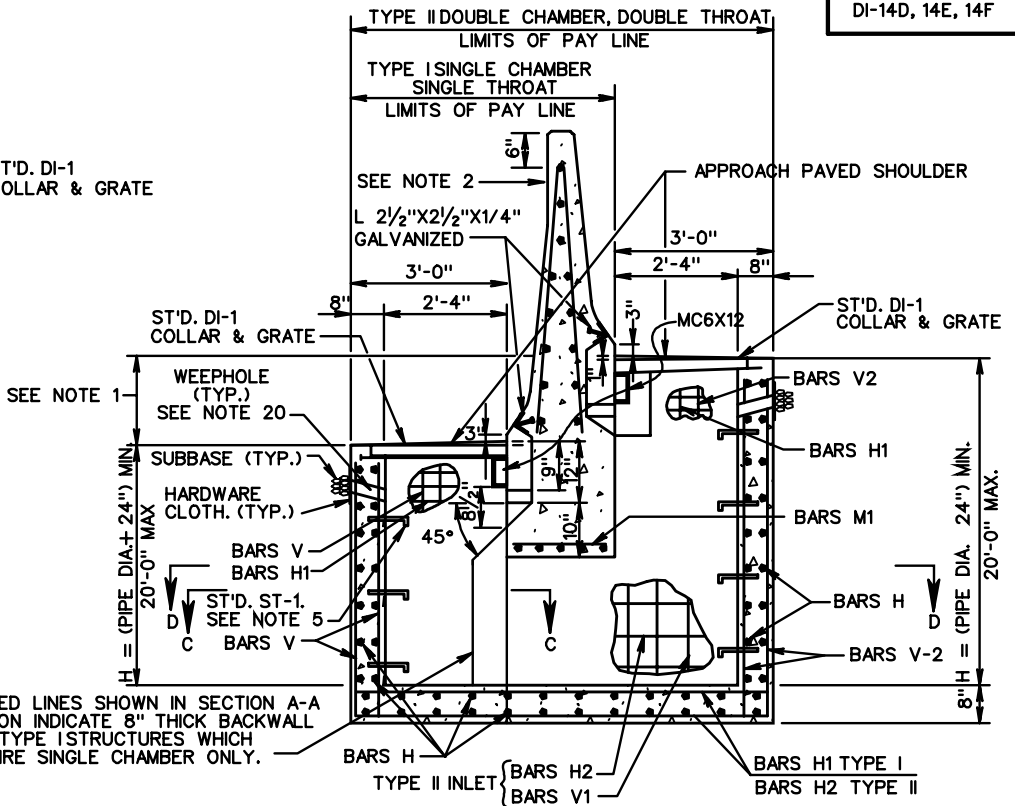
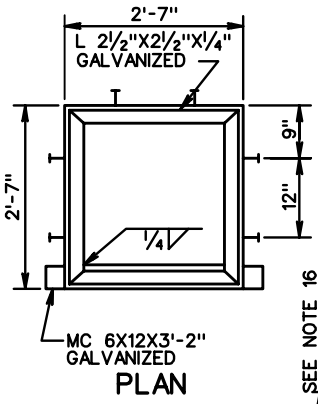


PLAN VIEW



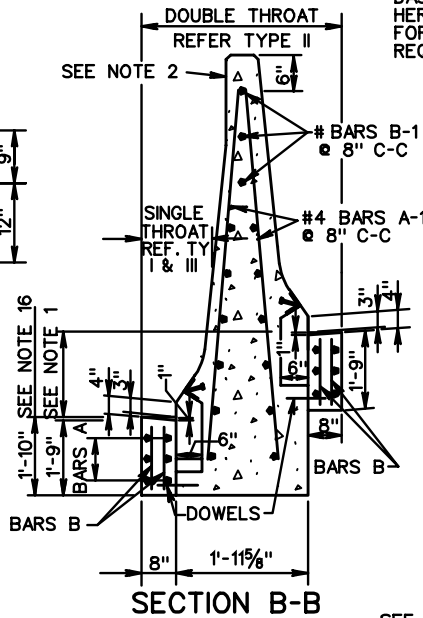
SECTION A-A



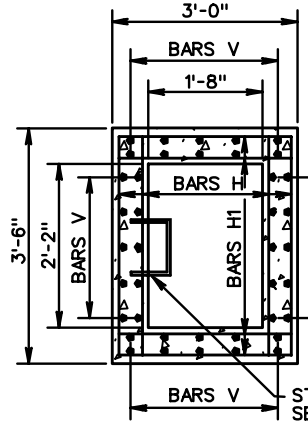
PLAN



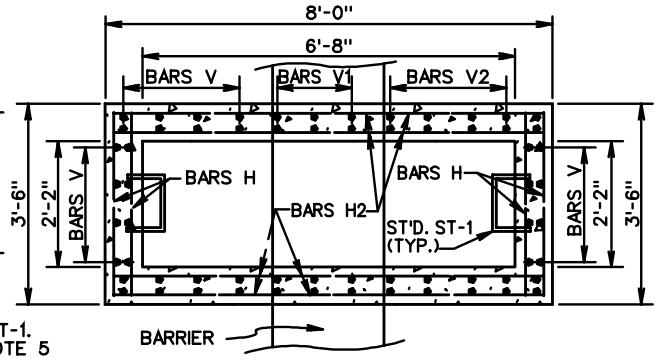
SECTION COLLAR DETAIL



SECTION B-B



SECTION C-C TYPE I & III



SECTION D-D TYPE II (NOT TO SCALE)

SEE NOTES ON SHEET 2 OF 2.

SPECIFICATION REFERENCE
233 302

# CONCRETE MEDIAN BARRIER DROP INLET

12"-24" PIPE: DEPTH (H) - 20' MAX.

VIRGINIA DEPARTMENT OF TRANSPORTATION

<b>VDOT</b>	
ROAD AND BRIDGE STANDARDS	
REVISION DATE	SHEET 1 OF 2
104.40	