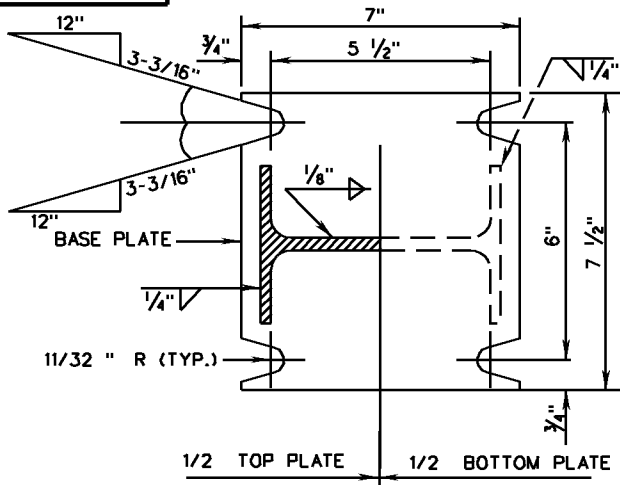
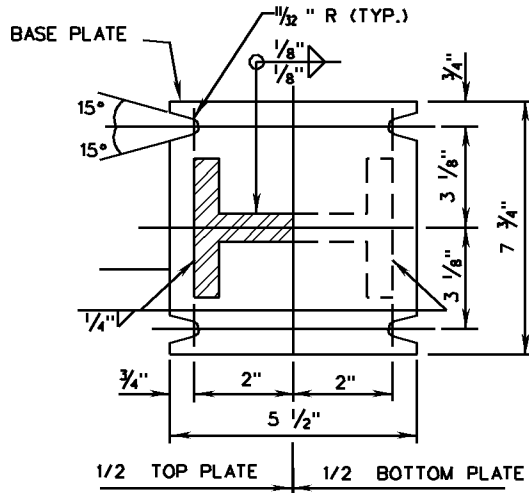


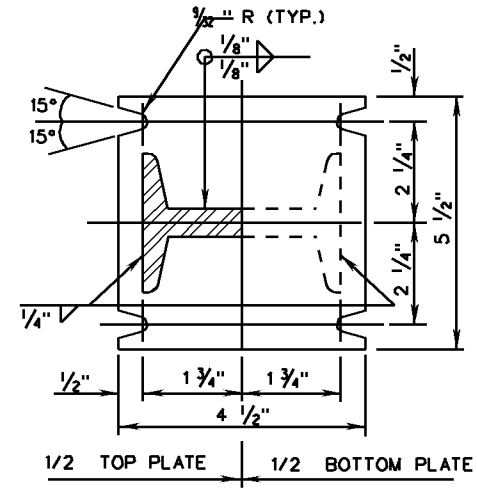
SSP-VA



SECTION A-A  
FOR W6 x 12 POST

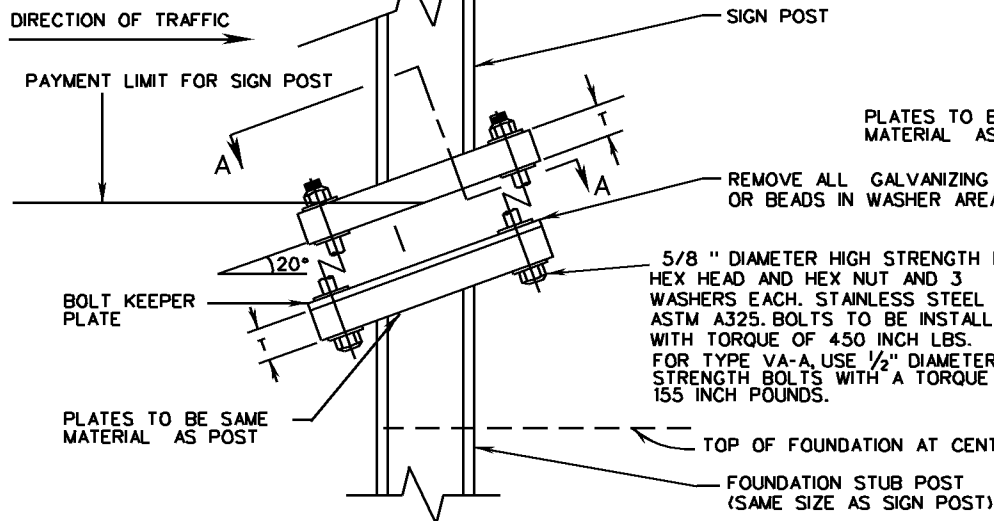


SECTION A-A  
FOR W4 x 13 POST

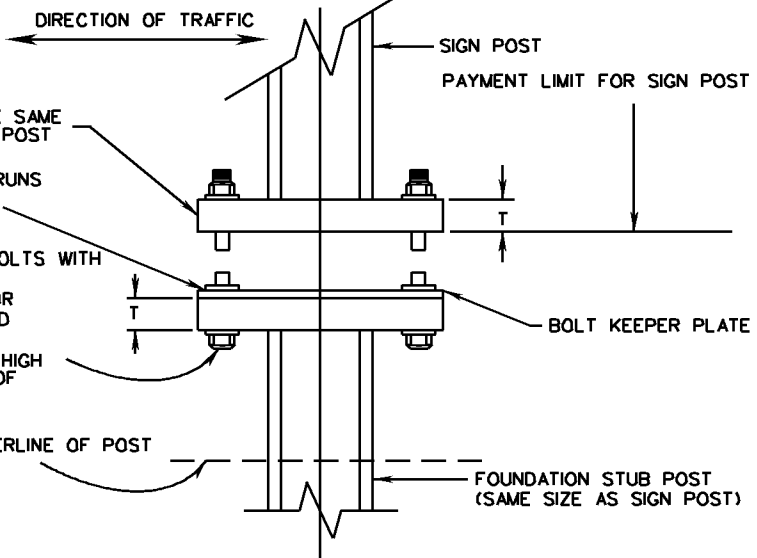


SECTION A-A  
FOR S3 x 5.7 POST

STANDARD INSTALLATION



MEDIAN ONLY INSTALLATION



ROAD AND BRIDGE STANDARDS

SHEET 3 OF 4 REVISION DATE 6-15-09

1322.12

VA SIGN STRUCTURE  
INSTALLATION DETAILS

VIRGINIA DEPARTMENT OF TRANSPORTATION

SPECIFICATION  
REFERENCE

700