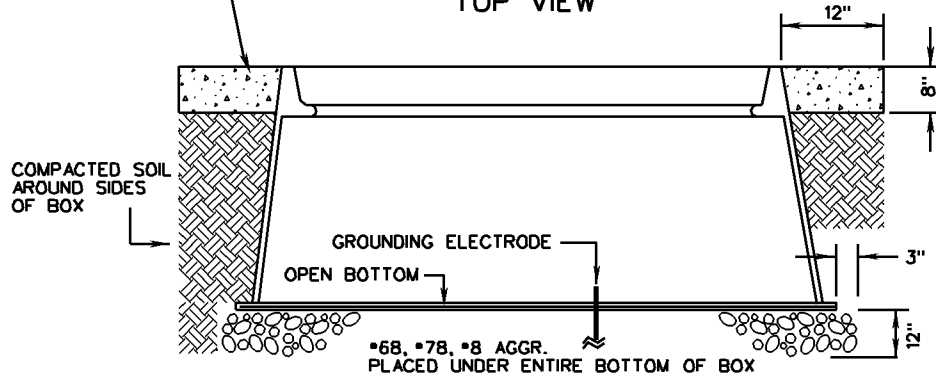
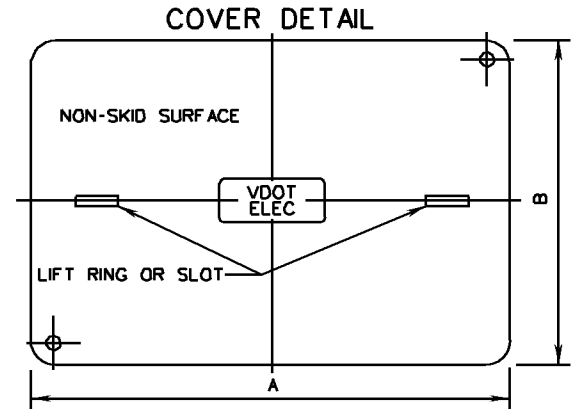


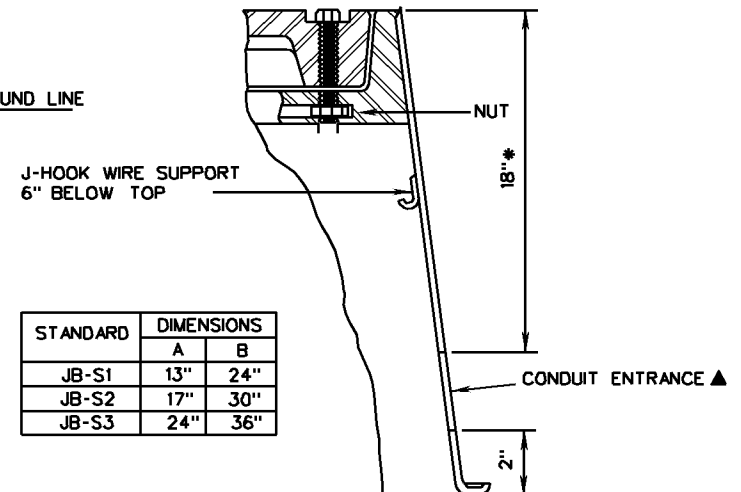
TOP VIEW



SECTION VIEW



SECTION A-A



STANDARD	DIMENSIONS	
	A	B
JB-S1	13"	24"
JB-S2	17"	30"
JB-S3	24"	36"

NOTES:

- JUNCTION BOXES MAY BE STRAIGHT OR FLARED WALL IN DESIGN. MATERIALS SHALL CONFORM TO SECTION 238 OF THE ROAD & BRIDGE SPECIFICATIONS.
- BELL ENDS SHALL BE INSTALLED ON THE ENDS OF PVC CONDUITS.
- GROUNDING BUSHINGS SHALL BE INSTALLED ON THE ENDS OF METAL CONDUITS.
- BELL ENDS AND BUSHINGS SHALL BE PLUGGED TO PREVENT MOISTURE AND RODENT ENTRY.
- *DEPTH OF CONDUIT ENTRANCE FOR USE OF MAGNETIC DETECTORS SHALL BE IN ACCORDANCE WITH STANDARD TD-2.
- CONDUIT ENTRANCES SHALL BE LOCATED AS SHOWN ON THE PLANS.
- THE COVER SHALL HAVE A NON-SKID SURFACE WITH LETTERS CAST IN THE DEPRESSION ON TOP. THE LETTERS "VDOT ELEC", "VDOT TRAF", "VDOT COMM" OR UTILITY AS APPLICABLE ARE TO BE 1" WIDE. COVERS USED FOR JUNCTION BOXES INSTALLED WITHIN MUNICIPALITIES AND NOT MAINTAINED BY VDOT SHALL NOT REQUIRE THE VDOT REFERENCE.
- ALL JUNCTION BOXES SHALL BE INSTALLED WITH A GROUNDING ELECTRODE

- TWO RECESSED 3/8" S.S. HEX HEAD BOLTS ARE REQUIRED FOR EACH COVER.
- ▲ A MINIMUM 2" DIAMETER CONDUIT ENTRANCE IS REQUIRED, UNLESS OTHERWISE SPECIFIED ON THE PLANS.
- J-HOOK WIRE SUPPORTS SHALL BE SECURELY ATTACHED TO THE JUNCTION BOX WITH A BOLT AND NUT WITH A NEOPRENE WASHER OR AN EXPANSION FITTING.
- CONDUITS SHALL EXTEND 2" TO 3" MAX. INTO THE INSIDE WALL OF THE JUNCTION BOX.
- THE JUNCTION BOX MAY BE A TWO PIECE DESIGN WITH THE TOP SECTION NO LESS THAN 17" IN DEPTH.
- VOIDS RESULTING FROM ENTRANCE OF CONDUITS INTO JUNCTION BOXES SHALL BE COMPLETELY FILLED WITH AN APPROVED MATERIAL.

SPECIFICATION REFERENCE
700 238

JUNCTION BOX
FOR NON-DELIBERATE TRAFFIC USE
VIRGINIA DEPARTMENT OF TRANSPORTATION

VDOT ROAD AND BRIDGE STANDARDS	
REVISION DATE 6-15-09	SHEET 1 OF 1
1317.20	