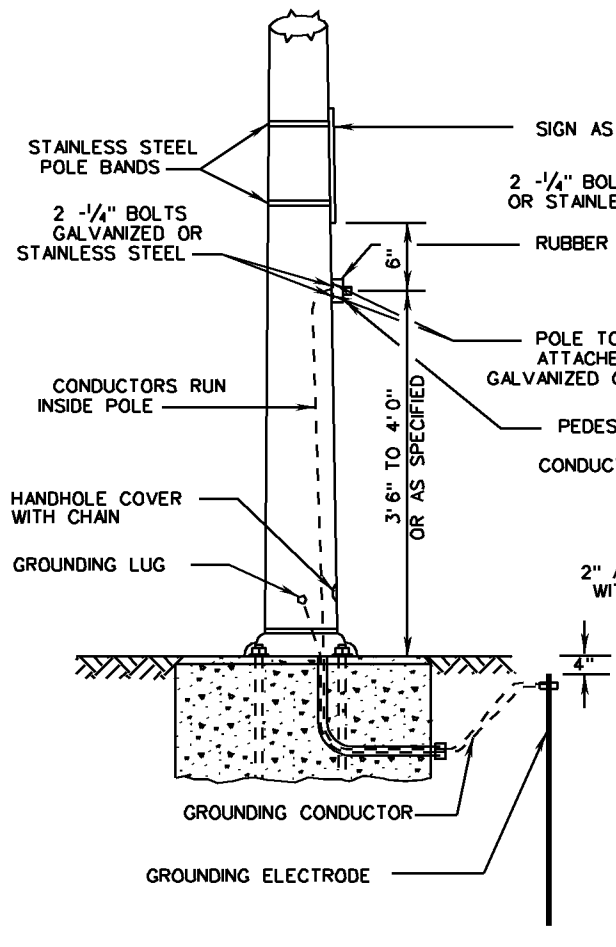
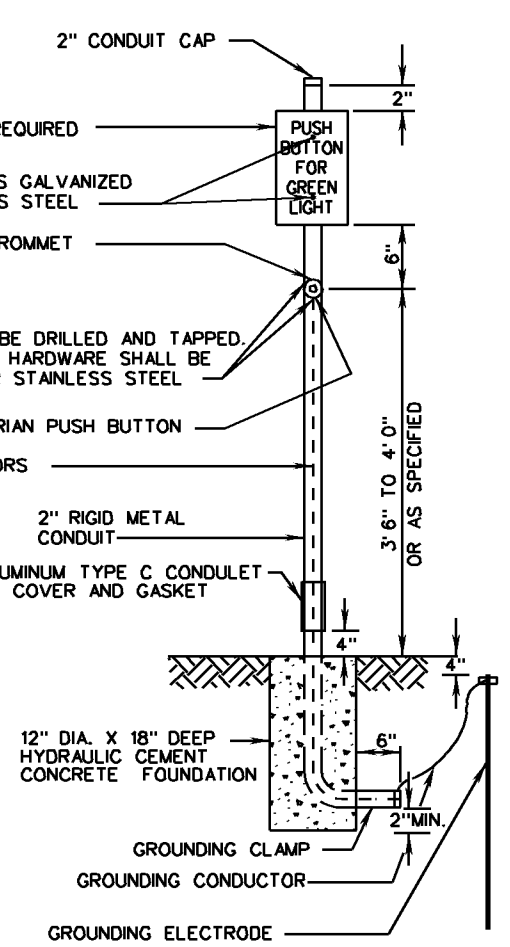


PA-1
WOOD/CONCRETE POLE



PA-2
SIGNAL/PEDESTAL POLE



PA-3
METAL

NOTE:

REFER TO STANDARD MP-2 FOR GROUNDING LUG DETAIL.
"C" CONDULET WITH GASKET AND COVER.

SPECIFICATION REFERENCE
700 703

PEDESTRAIN ACTUATION
DETAILS

VIRGINIA DEPARTMENT OF TRANSPORTATION

VDOT ROAD AND BRIDGE STANDARDS	
REVISION DATE 04/09 06-15-2009	SHEET 1 OF 1 1307.10