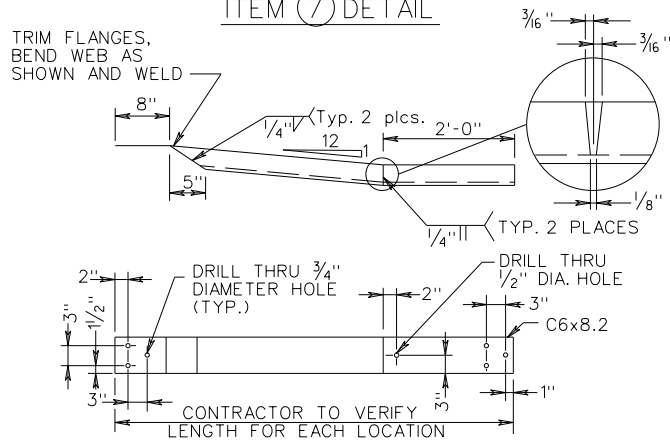
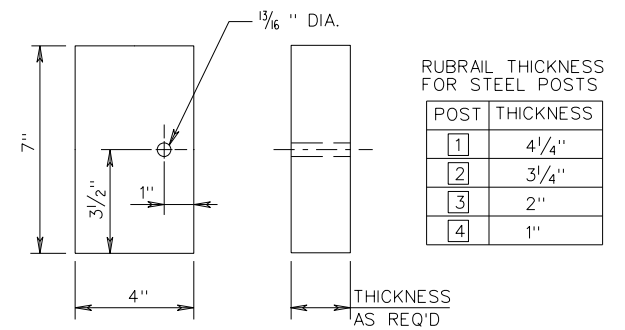


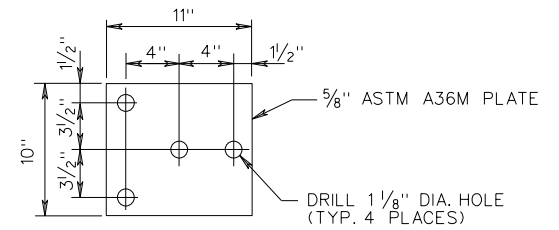
ITEM 7 DETAIL



ITEM 8 DETAIL



RUBRAIL BLOCKOUT DETAIL



BEARING PLATE

GR-FOA-3 W-BEAM GUARDRAIL INSTALLATION CRITERIA
 FIXED OBJECT ATTACHMENT METHODS WITH RUBRAIL AND HARDWARE DETAILS

A COPY OF THE SEALED AND SIGNED DRAWING IS ON FILE IN THE CENTRAL OFFICE.



VIRGINIA DEPARTMENT
 OF
 TRANSPORTATION

REVISION DATE	SPECIAL DESIGN SECTION DRAWING NO.	SHEET 3 OF 3
01/14	IISA47	