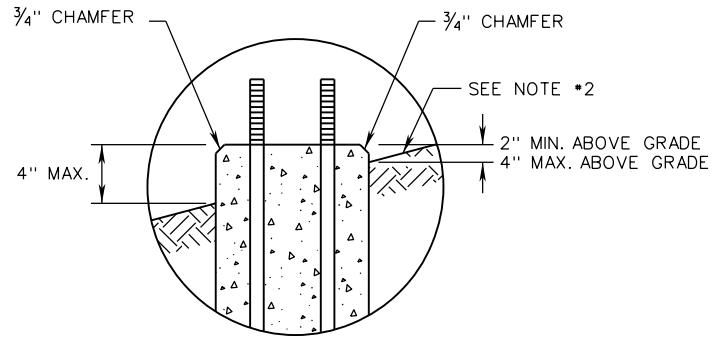
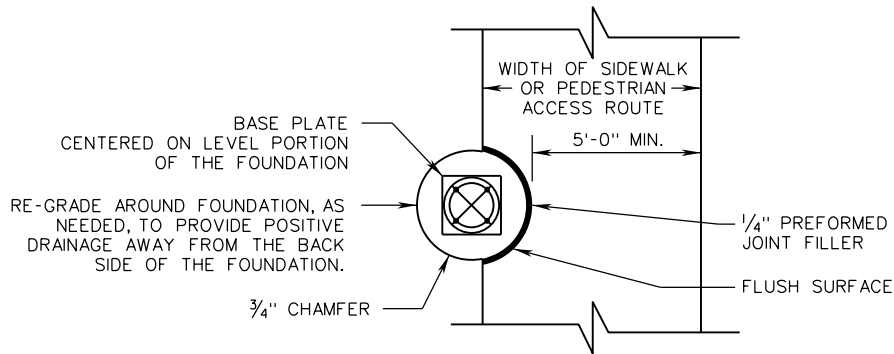


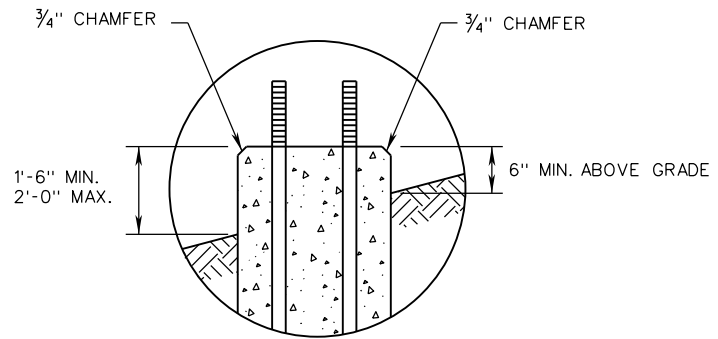
**DETAIL A
SIDEWALK**



**DETAIL B
BREAKAWAY BASE**



**PARTIAL PLAN
OF DETAIL A**



**DETAIL C
NON-BREAKAWAY BASE**

NOTES:

1. WHERE THE FOUNDATION EXTENDS INTO THE SIDEWALK, THE EDGES OF THE FOUNDATION SHALL BE FLUSH WITH THE SIDEWALK (DETAIL A). WHERE THE FOUNDATION IS OUTSIDE OF THE SIDEWALK, THE EDGES OF THE FOUNDATION SHALL HAVE A 3/4" CHAMFER (DETAIL B AND C). UNDER ALL CIRCUMSTANCES THE CONCRETE SHALL BE SLOPED TO ENSURE THE FOUNDATION SURFACE IS NOT AN AREA OF PONDING WATER.
2. IF NEEDED IN SLOPED CONDITIONS TO MAINTAIN POSITIVE DRAINAGE AROUND THE FOUNDATION AND TO PROVIDE THE CLEARANCES SHOWN IN DETAIL B, THE CONTRACTOR SHALL RE-GRADE AND ADD RETAINING CURB OR MATERIAL ON THE UP SLOPE WHEN APPROVED BY THE ENGINEER. RE-GRAIDING AND RETAINING CURB SHALL BE INCLUDED IN THE PRICE BID FOR FOUNDATION.
3. WHEN FOUNDATION IS ADJACENT TO THE BACK EDGE OF SIDEWALK BUT NOT WITHIN THE SIDEWALK, AND A BREAKAWAY BASE IS REQUIRED, THE TOP OF THE FOUNDATION SHALL BE ELEVATED 2 INCHES MINIMUM ABOVE THE SIDEWALK GRADE.



ROAD AND BRIDGE STANDARDS

A COPY OF THE ORIGINAL SEALED AND SIGNED DRAWING IS ON FILE IN THE CENTRAL OFFICE.

LIGHTING POLE FOUNDATION

SPECIFICATION
REFERENCE

SHEET 2 OF 2

REVISION DATE

INSTALLATION DETAILS

1310.21

08/14

VIRGINIA DEPARTMENT OF TRANSPORTATION

700