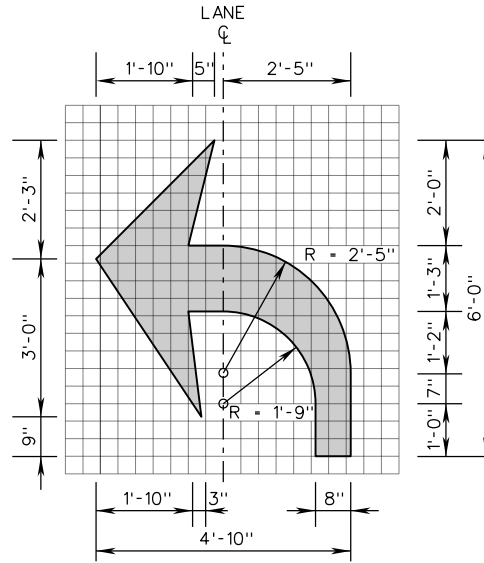
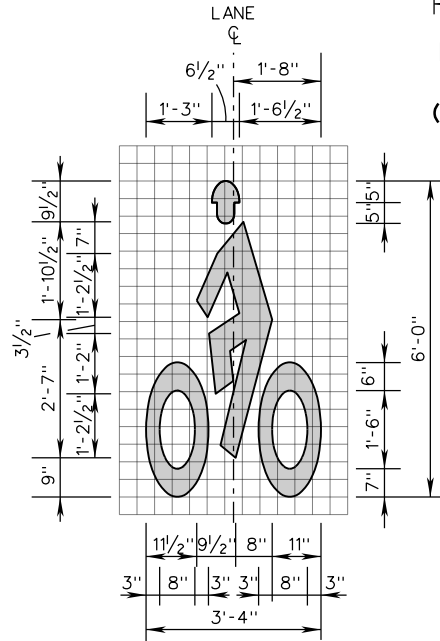


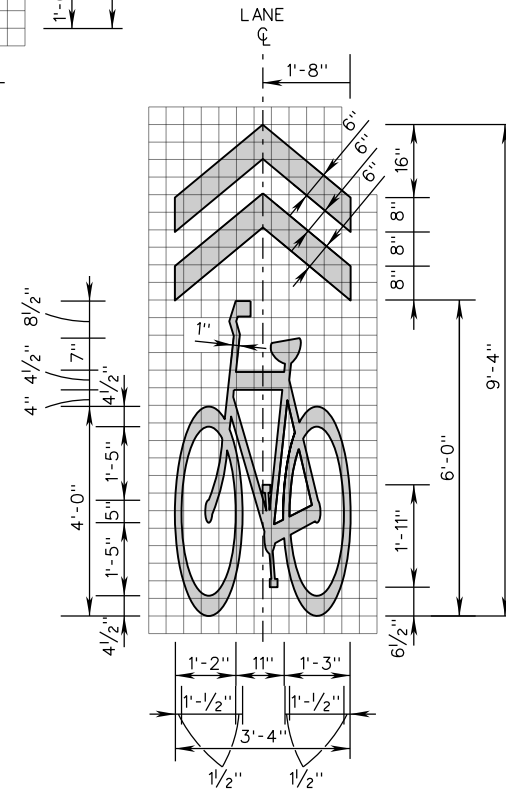
BICYCLIST THRU
ARROW



BICYCLIST THRU
ARROW
(LEFT OR RIGHT)



HELMETED BICYCLIST
SYMBOL



SHARED LANE MARKING SYMBOL

NOTES:

1. 1 GRID UNIT = 4 INCHES
2. ALL SYMBOLS/LEGEND SHALL BE WHITE UNLESS OTHERWISE SPECIFIED IN THE CONTRACT DOCUMENTS.

A COPY OF THE ORIGINAL SEALED AND SIGNED DRAWING IS ON FILE IN THE CENTRAL OFFICE.
PAVEMENT WORD, SYMBOL, AND ARROW MARKINGS
 SYMBOL DETAILS

VIRGINIA DEPARTMENT OF TRANSPORTATION

SPECIFICATION
REFERENCE

704



ROAD AND BRIDGE STANDARDS

SHEET 8 OF 15

REVISION DATE

1340.17

NEW 01/15