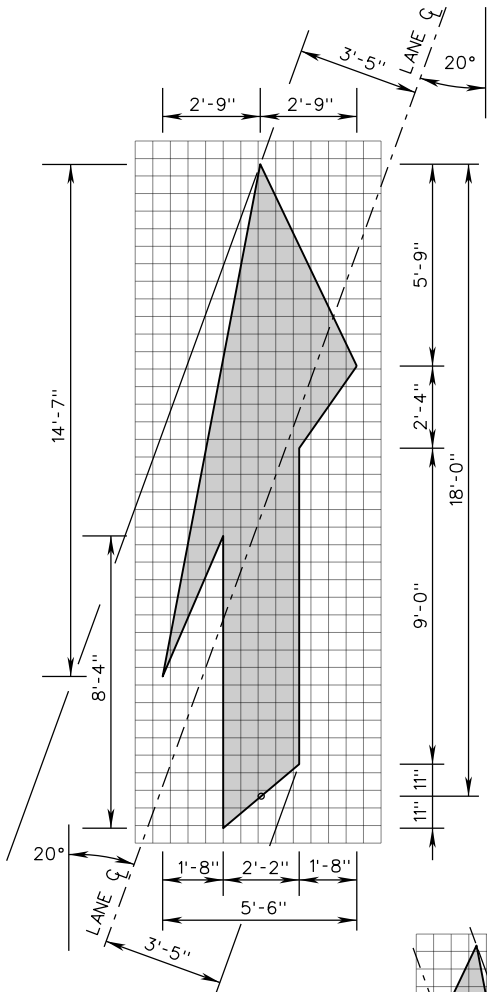


**NOTES:**

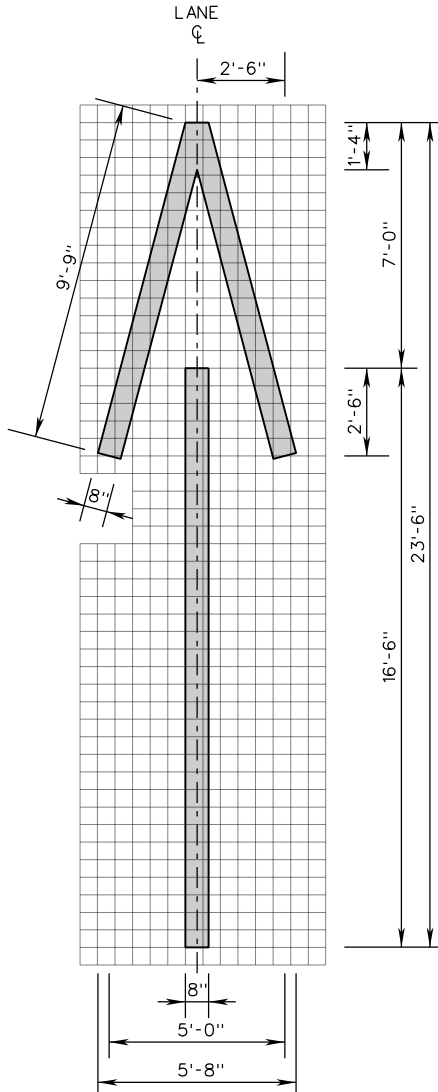
1. 1 GRID UNIT = 6 INCHES
2. ALL SYMBOLS/LEGEND SHALL BE WHITE UNLESS OTHERWISE SPECIFIED IN THE CONTRACT DOCUMENTS.



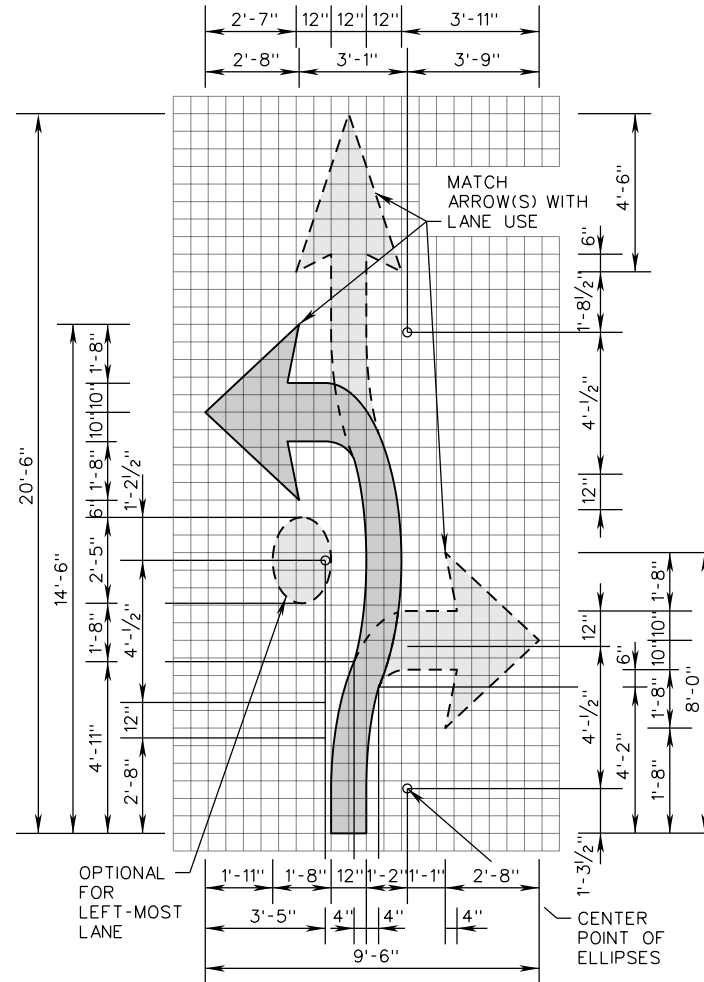
**LANE REDUCTION  
ARROW (LEFT)**

**LANE REDUCTION  
ARROW (RIGHT)**

SHOWN FOR CLARITY  
1 GRID UNIT = 1 FOOT



**WRONG-WAY ARROW**



**FISH-HOOK LANE-USE  
ARROW FOR  
ROUNDBOUTS**

<b>VDOT</b>	
ROAD AND BRIDGE STANDARDS	
SHEET 6 OF 15	REVISION DATE
1340.15	01/15

A COPY OF THE ORIGINAL SEALED AND SIGNED DRAWING IS ON FILE IN THE CENTRAL OFFICE.

## PAVEMENT WORD, SYMBOL, AND ARROW MARKINGS

### ARROW DETAILS

VIRGINIA DEPARTMENT OF TRANSPORTATION

SPECIFICATION REFERENCE
704