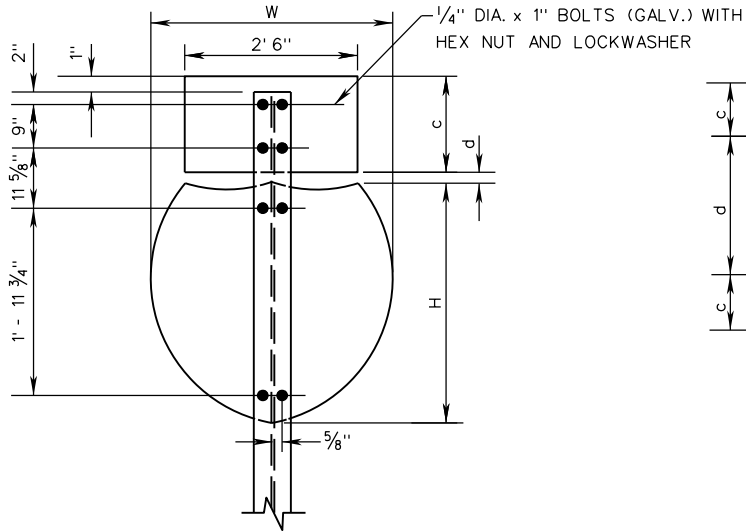
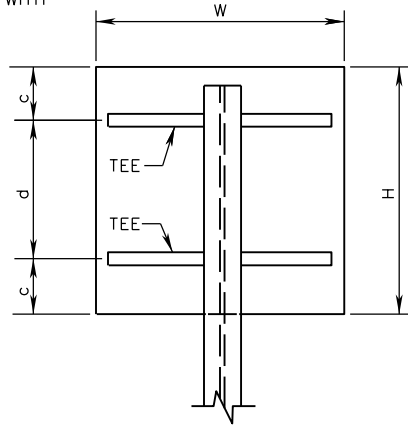


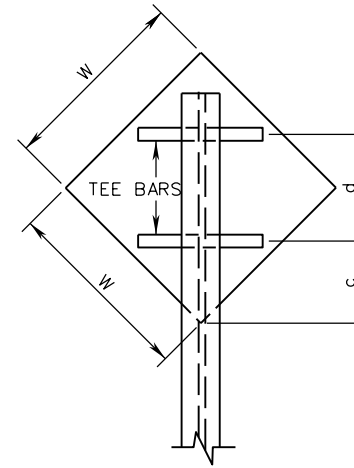
TYPE VA-A



TYPES VA-B, VA-C, VA-D, VA-E, VA-L, VA-M, VA-N AND VA-O

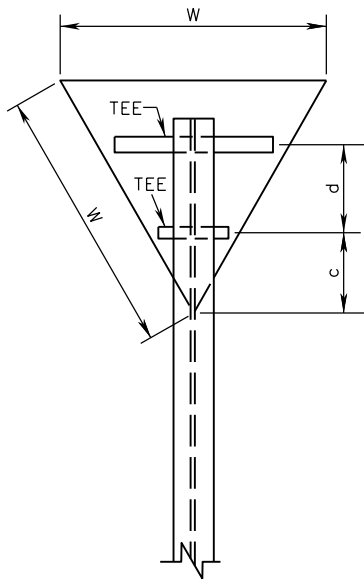


TYPE VA-F

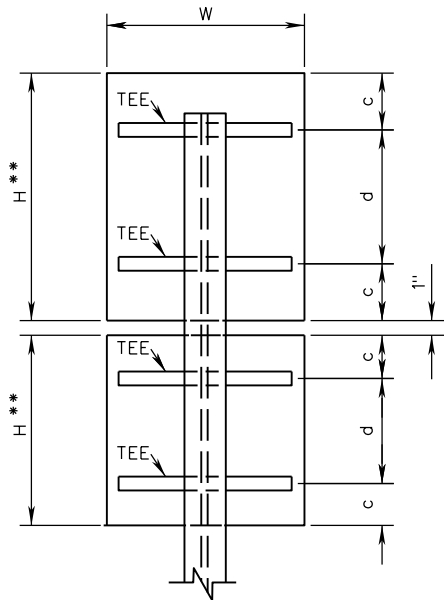


UNLESS OTHERWISE NOTED THE TOP OF THE SIGN PANEL SHALL NOT EXTEND ABOVE THE SIGN POST NO GREATER THAN THE DISTANCE OF 1/2 c.

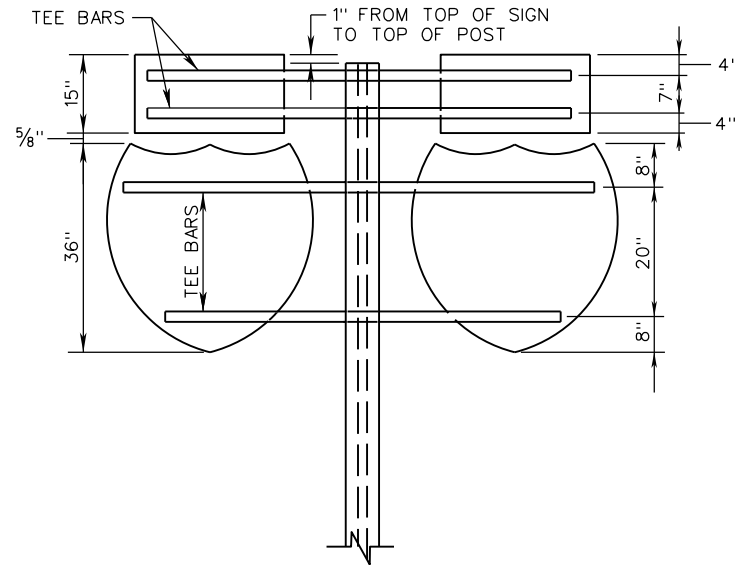
TYPE VA-G



TYPE VA-K



TYPE VA-A2



ROAD AND BRIDGE STANDARDS

SHEET 1 OF 2

REVISION DATE

1325.40

01/15

A COPY OF THE ORIGINAL SEALED AND SIGNED DRAWING IS ON FILE IN THE CENTRAL OFFICE.

SIGN PANEL DESIGN

VIRGINIA DEPARTMENT OF TRANSPORTATION

SPECIFICATION REFERENCE

701