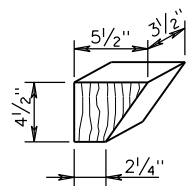
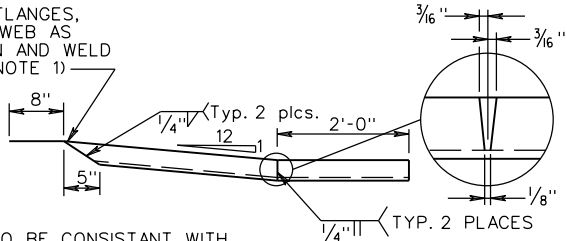


**BEARING PLATE**

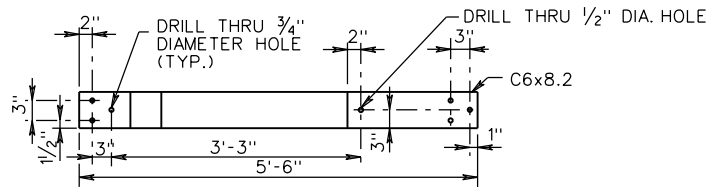


**ITEM 10 DETAIL**

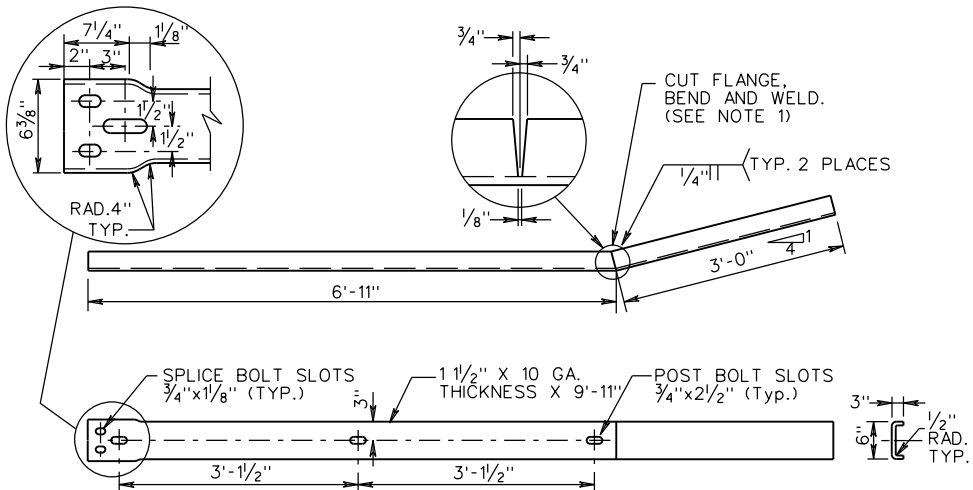
TRIM FLANGES, BEND WEB AS SHOWN AND WELD (SEE NOTE 1)



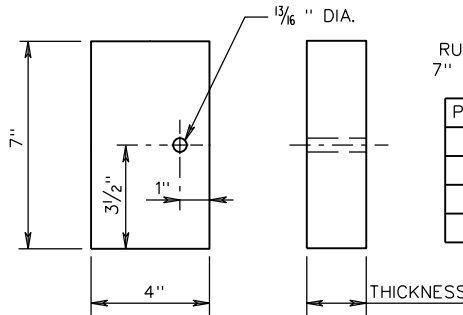
FABRICATE TO BE CONSISTANT WITH THE SLOPE OF THE PARAPET OR BARRIER AND ATTACH FLUSH TO SLOPE.



**ITEM 8 DETAIL**



**ITEM 7 DETAIL**



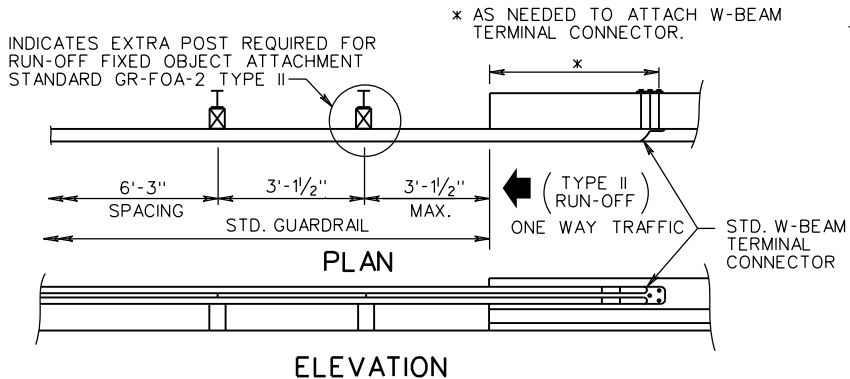
**RUBRAIL BLOCKOUT DETAIL**

STEEL POSTS  
RUBRAIL BLOCKOUTS  
7" X 4" X THICKNESS

POST	THICKNESS
1	4 1/4"
2	3 1/4"
3	2"
4	1"

WOOD POSTS  
RUBRAIL BLOCKOUTS  
7" X 4" X THICKNESS

POST	THICKNESS
1	6 1/4"
2	4 5/8"
3	3 1/8"
4	1 1/2"



\* AS NEEDED TO ATTACH W-BEAM TERMINAL CONNECTOR.

INDICATES EXTRA POST REQUIRED FOR RUN-OFF FIXED OBJECT ATTACHMENT STANDARD GR-FOA-2 TYPE II

NOTES:  
1. CAN BE FIELD CUT AND BENT USING HEAT. IF SHOP CUT AND BENT, RIGHT HAND OR LEFT HAND MUST BE SPECIFIED DEPENDING ON WHICH SIDE OF THE ROADWAY THE TRANSITION IS USED.



ROAD AND BRIDGE STANDARDS

A COPY OF THE ORIGINAL SEALED AND SIGNED DRAWING IS ON FILE IN THE CENTRAL OFFICE.  
**W-BEAM GUARDRAIL - FIXED OBJECT ATTACHMENT**

SPECIFICATION REFERENCE

SHEET 3 OF 3

REVISION DATE

**RUBRAIL AND HARDWARE DETAILS**

505

501.30

01/14

VIRGINIA DEPARTMENT OF TRANSPORTATION