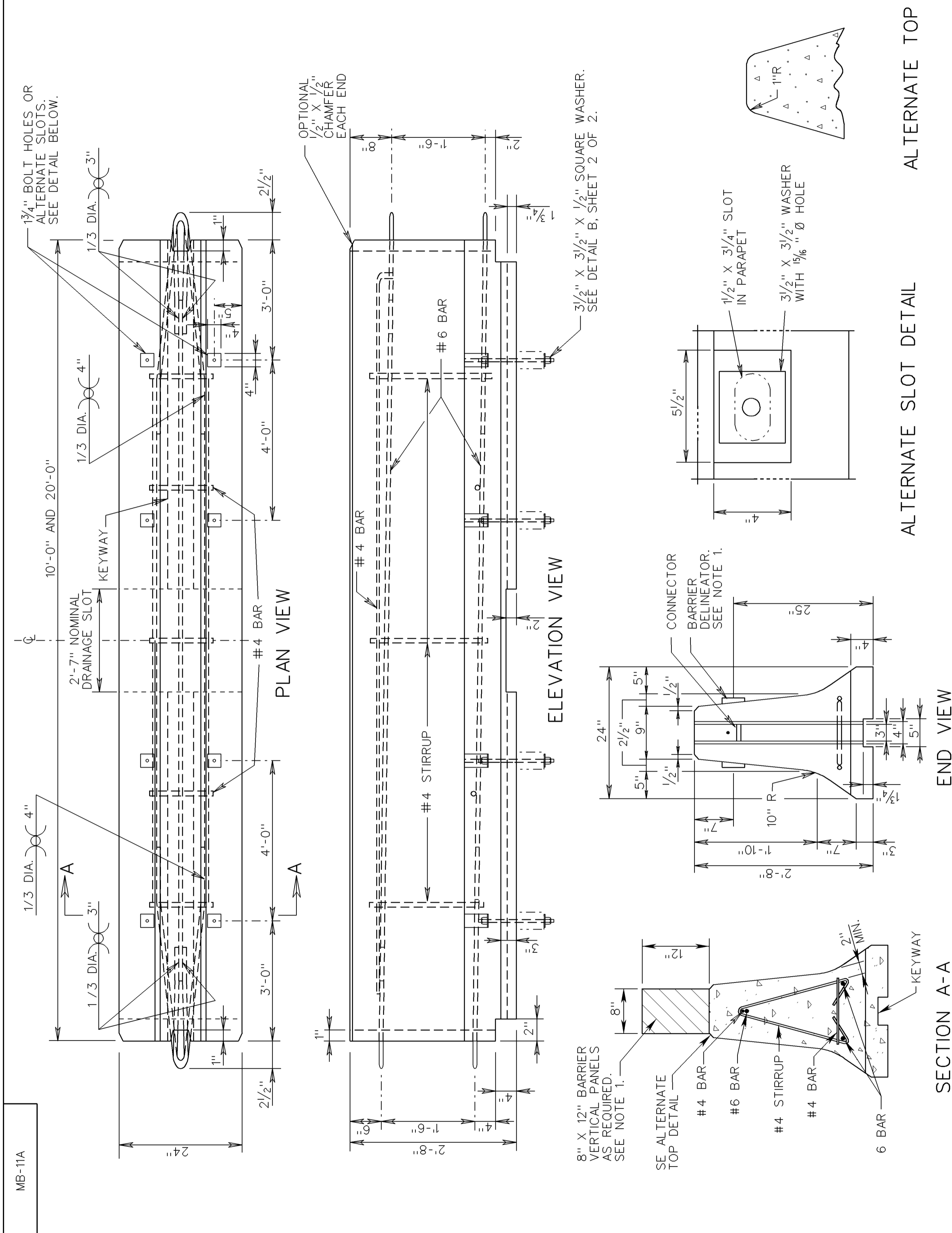


PROJECT MANAGER _____
 SURVEYED BY _____
 DESIGN SUPERVISED BY _____
 DESIGNED BY _____

DESIGN FEATURES RELATING TO CONSTRUCTION OR TO REGULATION AND CONTROL OF TRAFFIC MAY BE SUBJECT TO CHANGE AS DEEMED NECESSARY BY THE DEPARTMENT

REVISED	STATE	FEDERAL AID PROJECT	ROUTE	STATE PROJECT	SHEET NO.
	VA.				



SECTION A-A
 END VIEW

SECTION B-B
 (ANCHOR BOLT)
 BOLT DOWN SIDE ADJACENT TO TRAFFIC

SECTION
 2" X 2'-7" NOMINAL DRAINAGE SLOT

TRAFFIC BARRIER SERVICE CONCRETE PARAPET (DOUBLE FACE)
 (FOR TEMPORARY INSTALLATION ON BRIDGE DECK EXTERIOR)
 VIRGINIA DEPARTMENT OF TRANSPORTATION

ROAD AND BRIDGE STANDARDS	SPECIFICATION REFERENCE
SHEET 1 OF 3	105
502.13	512
REVISION DATE	
01/09	

NOTES:

1. BARRIER DELINEATOR IS TO BE SPACED IN ACCORDANCE WITH SECTION 702 OF THE ROAD AND BRIDGE SPECIFICATIONS AND THE BARRIER VERTICAL PANELS ARE TO BE SPACED IN ACCORDANCE WITH THE VIRGINIA WORK AREA PROTECTION MANUAL.
2. REFLECTIVE SURFACE, IN ALL INSTANCES, ARE TO BE FACING ONCOMING TRAFFIC.
3. COST OF BARRIER DELINEATOR AND BARRIER VERTICAL PANELS ARE TO BE INCLUDED IN PRICE BID PER LINEAR FOOT OF BARRIER SERVICE.
4. ANCHOR BOLTS SHALL BE INSTALLED ON TRAFFIC SIDE.
5. CONCRETE 4000 PSI (MIN.)
6. WELDED WIRE FABRIC MAY BE ONE SHEET BENT TO FIT CONFIGURATION OR TWO SEPARATE SHEETS, ONE ON EACH FACE.
7. AFTER REMOVING TEMPORARY BARRIER, CUT 7/8" Ø BOLT OR THREADED ROD AS LOW AS PRACTICAL BELOW ROADWAY SURFACE AND FILL RECESS WITH EPOXY BONDING COMPOUND EP-4 (DETAIL "A") OR REMOVE 1/2" Ø BOLT OR THREADED ROD AND FILL HOLE WITH GROUT BONDED WITH EPOXY BONDING COMPOUND EP-4, (DETAIL "A").
8. FOR POSITIVE CONNECTION DETAILS AND DIMENSIONS SEE STANDARD MB-INS.

ALTERNATE TOP

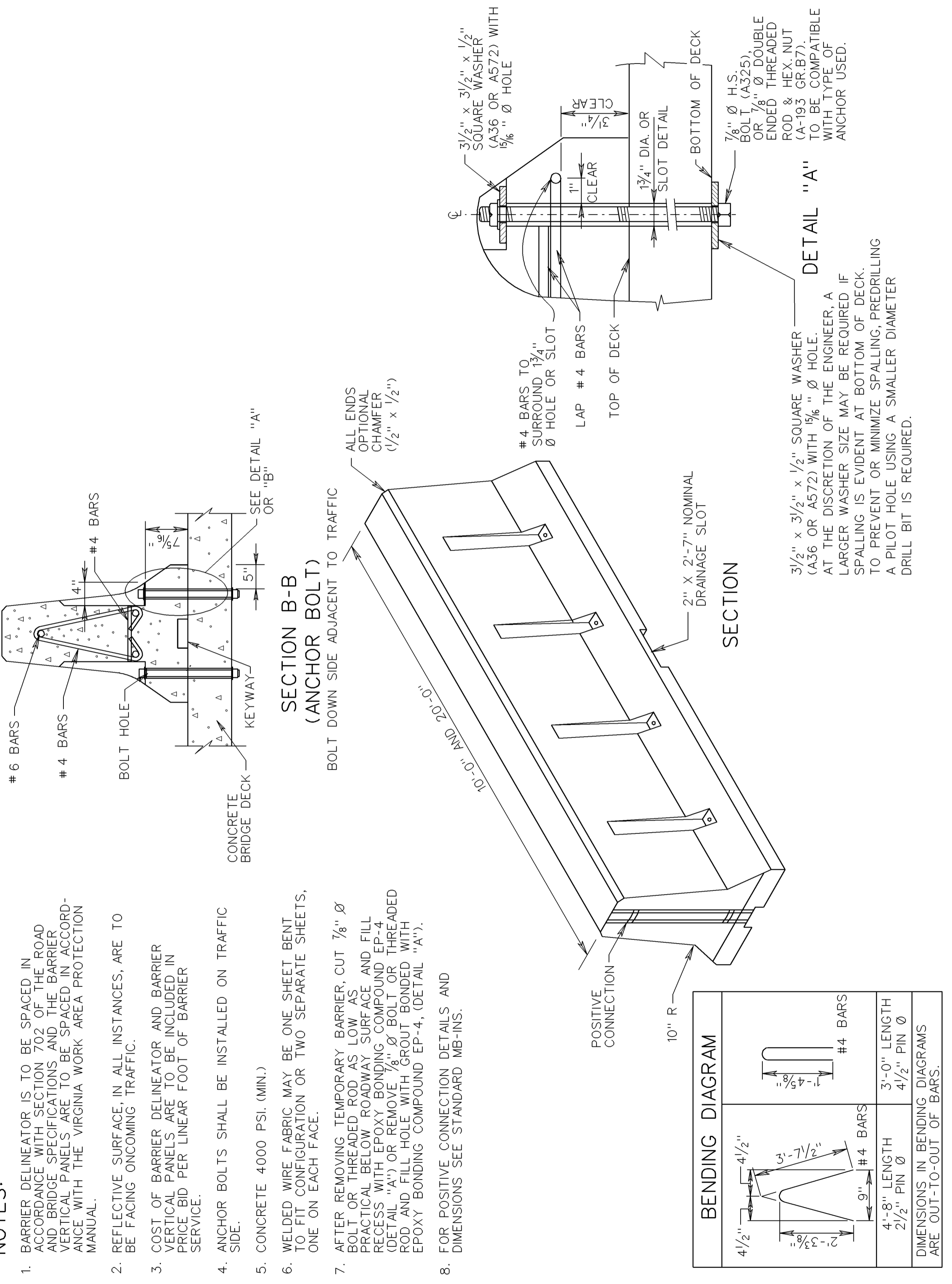
ALTERNATE SLOT DETAIL

END VIEW

SECTION A-A

ROAD AND BRIDGE STANDARDS	SPECIFICATION REFERENCE
SHEET 1 OF 3	105
502.13	512
REVISION DATE	
01/09	

MB-11A



BENDING DIAGRAM	4 1/2"	4 1/2"	3'-7 1/2"	9"	9"	3'-0" LENGTH	2 1/2" PIN Ø	4 1/2" PIN Ø	4 1/2"	#4 BARS
DIMENSIONS IN BENDING DIAGRAMS ARE OUT-TO-OUT OF BARS.										

TRAFFIC BARRIER SERVICE CONCRETE PARAPET (DOUBLE FACE) (FOR TEMPORARY INSTALLATION ON BRIDGE DECK EXTERIOR) VIRGINIA DEPARTMENT OF TRANSPORTATION	VDOT ROAD AND BRIDGE STANDARDS
SPECIFICATION REFERENCE	REVISION DATE
105	01/09
512	SHEET 2 OF 3
	502.14