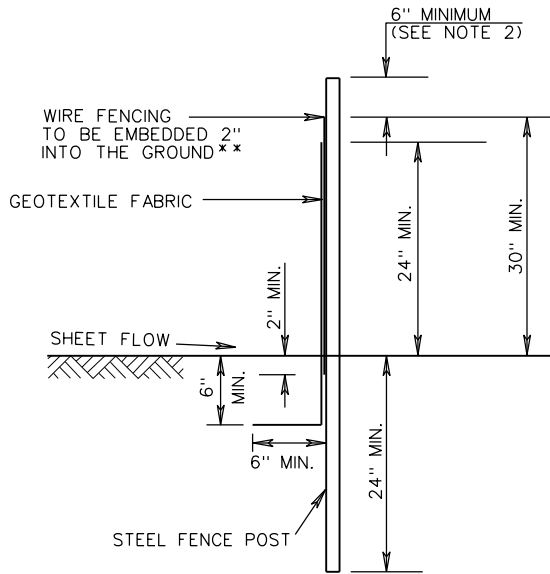
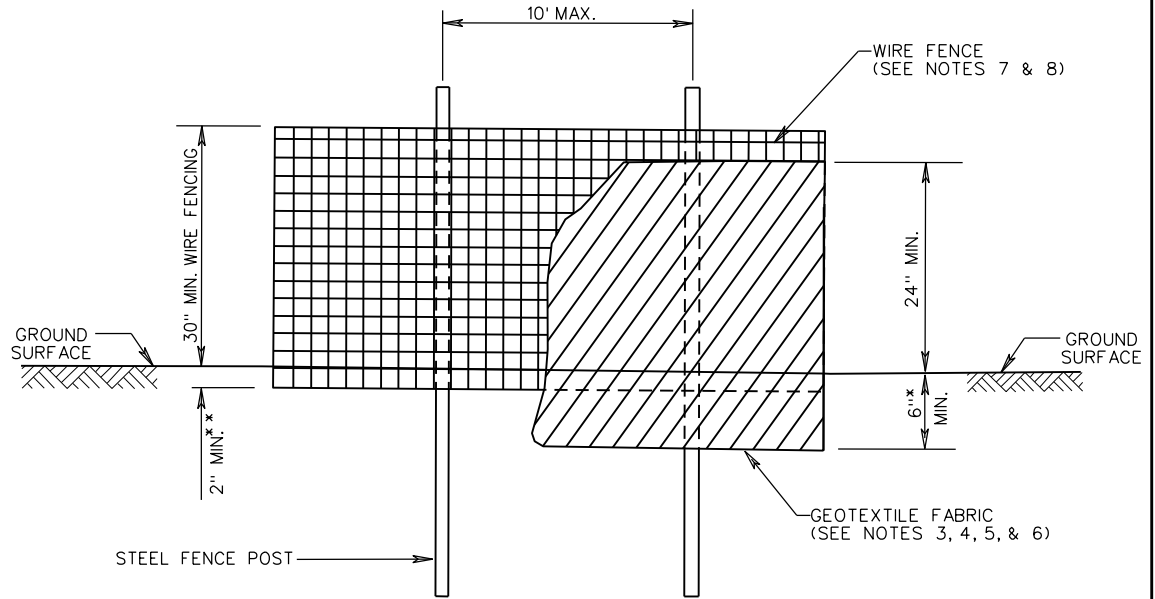


SILT FENCE TYPE B

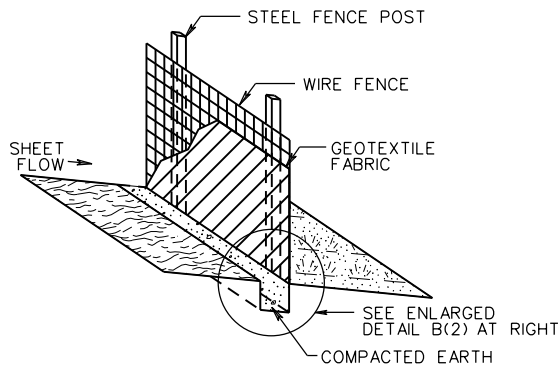
SEE SHEET 1 FOR NOTES



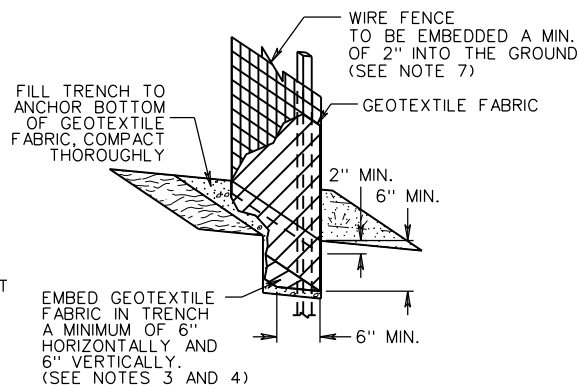
SECTION VIEW



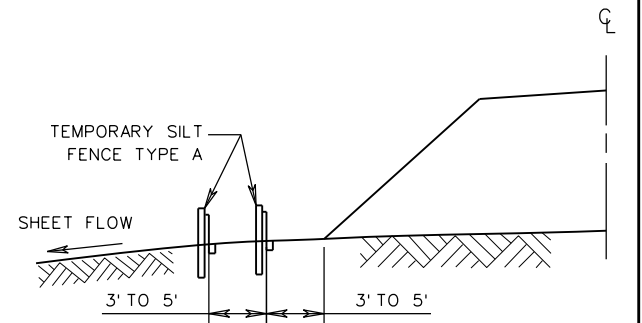
PROFILE VIEW



DETAIL B(1)



DETAIL B(2)



ALTERNATIVE SILT FENCE TYPE B
(SEE NOTE 10)

SPECIFICATION REFERENCE
107
242
245
303

A COPY OF THE ORIGINAL SEALED AND SIGNED DRAWING IS ON FILE IN THE CENTRAL OFFICE.

TEMPORARY SILT BARRIERS
SILT FENCE (TYPE A & B) AND BRUSH BARRIER
VIRGINIA DEPARTMENT OF TRANSPORTATION



ROAD AND BRIDGE STANDARDS

REVISION DATE

08/14

SHEET 3 OF 4

113.07B