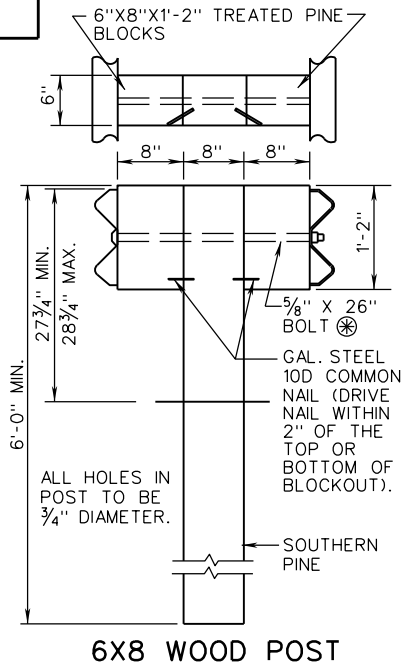
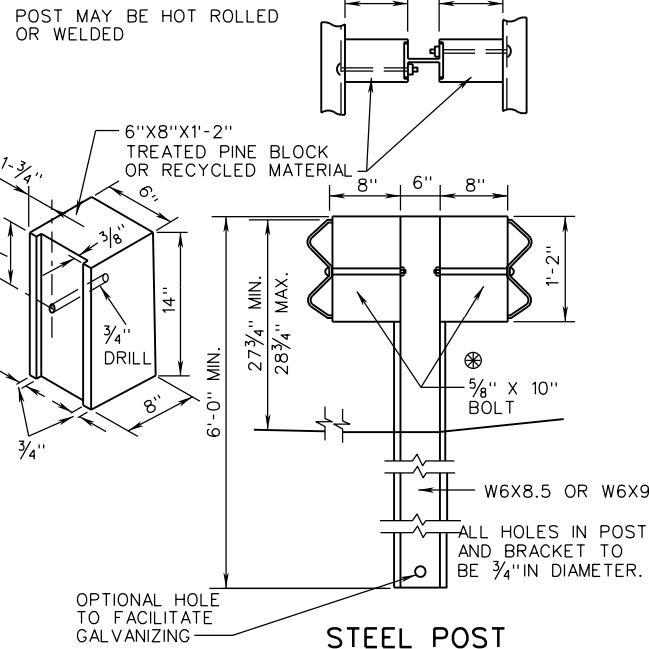


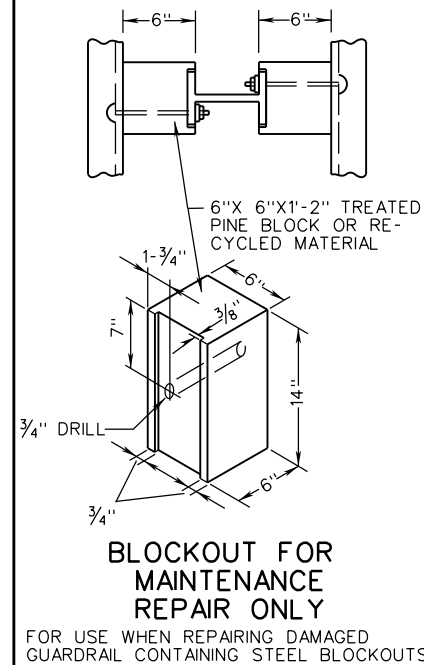
MB-3



6X8 WOOD POST



STEEL POST



BLOCKOUT FOR MAINTENANCE REPAIR ONLY

FOR USE WHEN REPAIRING DAMAGED GUARDRAIL CONTAINING STEEL BLOCKOUTS.

NOTES:

STANDARD MB-3 POST SPACING IS 6'-3".

FOR DETAILS OF RAIL ELEMENT, RAIL SPLICE JOINT, W BEAM BACK UP PLATE, AND ASSOCIATED HARDWARE SEE SHEET NO. 501.01.

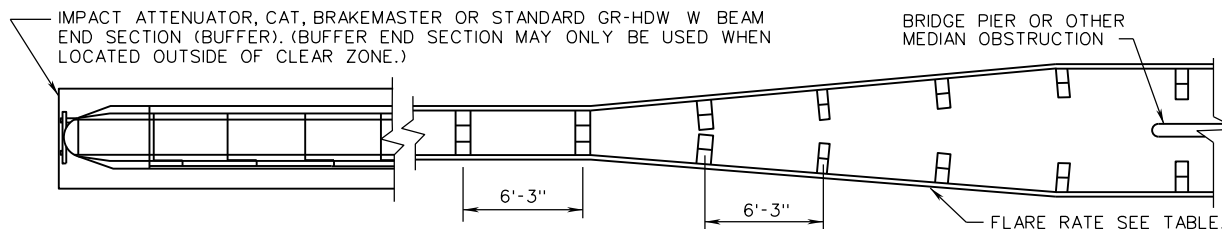
ALTERNATE TYPE POSTS AND BLOCKOUTS MAY BE INTERCHANGED ON ANY ONE PROJECT WITH THE RESTRICTION THAT THE SAME TYPE OF POST AND BLOCKOUT MUST BE USED IN ANY SINGLE RUN OF MEDIAN BARRIER.

ALL BOLTS, NUTS, WASHERS, STEEL POSTS, BENT PLATE POST, AND BLOCKOUTS ARE TO BE GALVANIZED.

⊗ STANDARD WASHERS ARE TO BE USED ON LAST 50' OF RUN OFF END ONLY.

FLARE RATES			
DESIGN SPEED	INSIDE SHY LINE		BEYOND SHY LINE
	SHY LINE LS	FLARE RATE	FLARE RATE
70	9'	30:1	15:1 *
60	8'	26:1	14:1 *
50	6.5'	21:1	11:1 *
40	5'	16:1	8:1 *
30	4'	13:1	7:1 *

* SUGGESTED MAXIMUM FLARE RATE FOR SEMI-RIGID BARRIER SYSTEMS.



METHOD OF TREATMENT AT BRIDGE PIER OR MEDIAN OBSTRUCTION

A COPY OF THE ORIGINAL SEALED AND SIGNED DRAWING IS ON FILE IN THE CENTRAL OFFICE.

BLOCKED-OUT W-BEAM MEDIAN BARRIER

SPECIFICATION REFERENCE

221
505



ROAD AND BRIDGE STANDARDS

SHEET 1 OF 1

REVISION DATE

502.01

08/14

VIRGINIA DEPARTMENT OF TRANSPORTATION