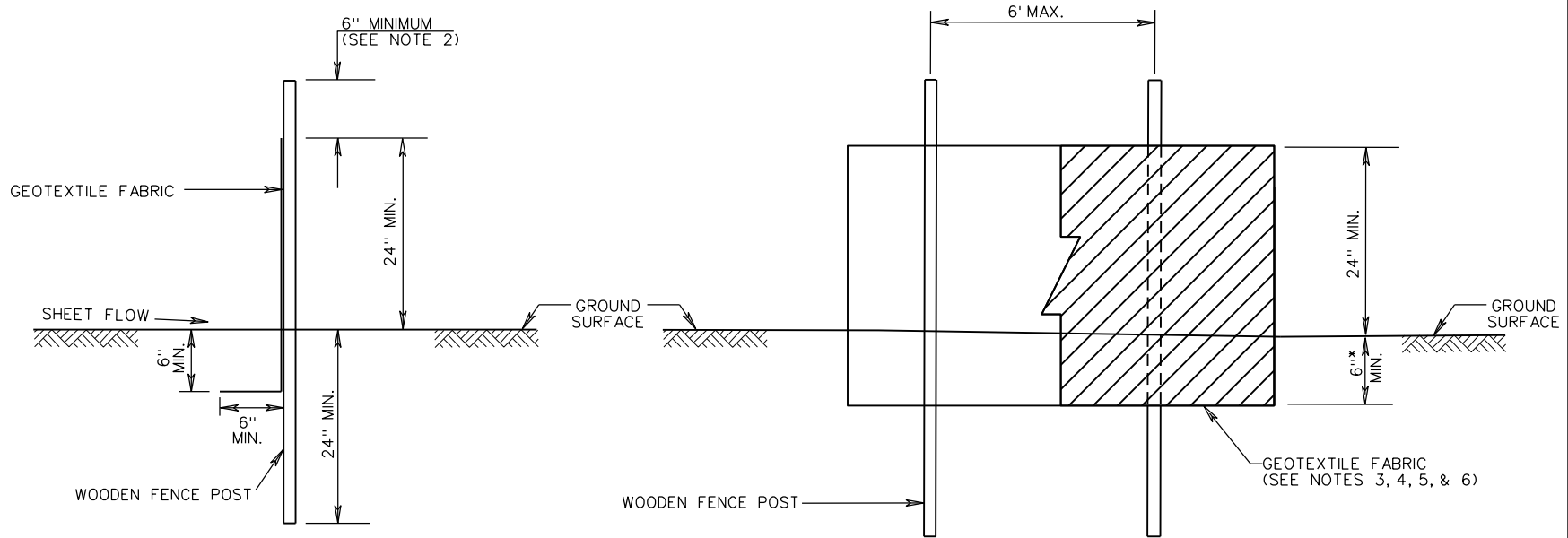


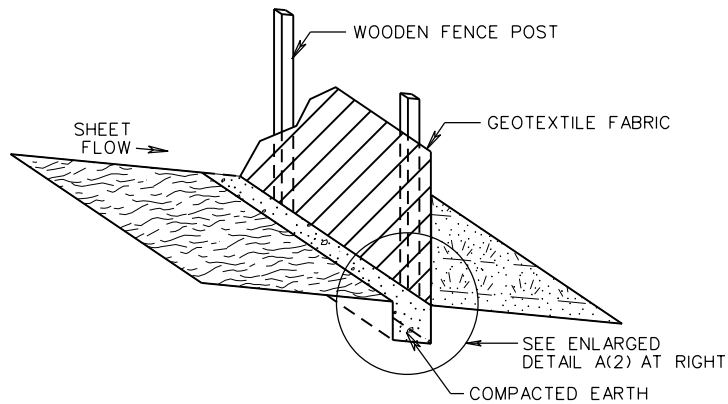
**SILT FENCE TYPE A**

SEE SHEET 1 FOR NOTES

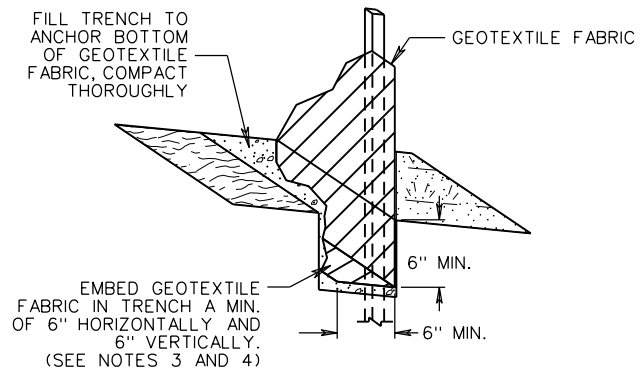


SECTION VIEW

PROFILE VIEW



DETAIL A(1)



DETAIL A(2)



ROAD AND BRIDGE STANDARDS

A COPY OF THE ORIGINAL SEALED AND SIGNED DRAWING IS ON FILE IN THE CENTRAL OFFICE.

**TEMPORARY SILT BARRIERS**  
**SILT FENCE (TYPE A & B) AND BRUSH BARRIER**

SPECIFICATION REFERENCE

SHEET 2 OF 4

REVISION DATE

107  
242  
245  
303

113.07A

08/14

VIRGINIA DEPARTMENT OF TRANSPORTATION