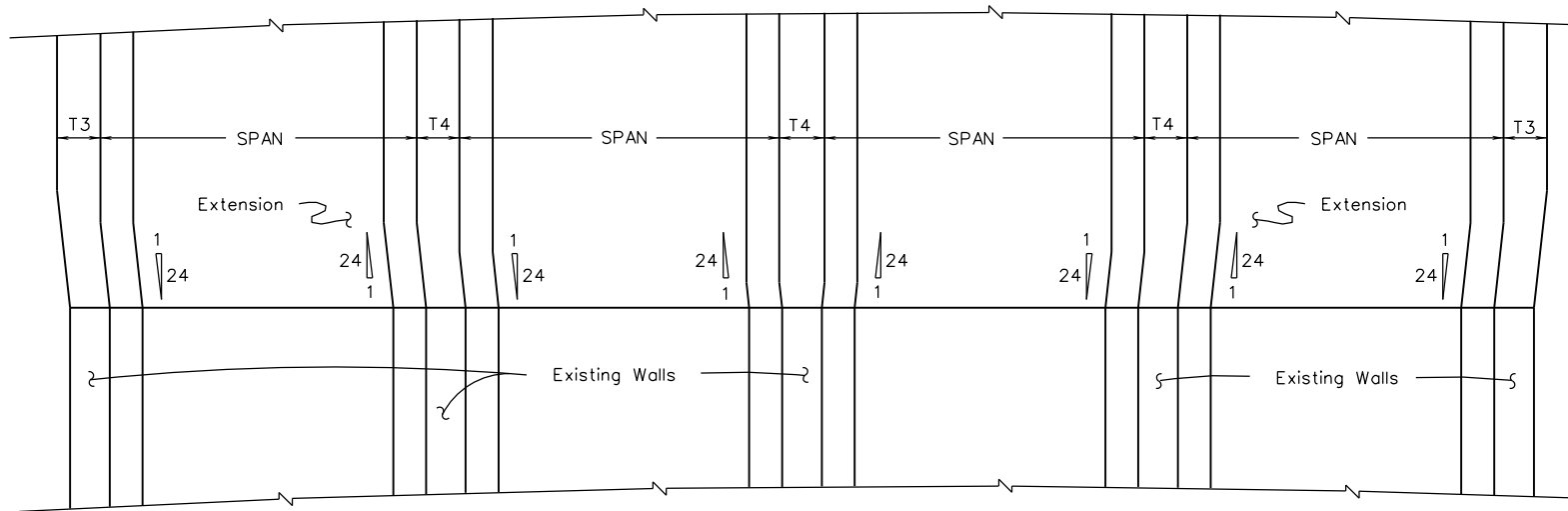


TRIPLE BOX CULVERT

For SPAN, HGHT, & T dimensions, refer to appropriate Box Culvert Standard. This standard is to be used only when a change in height or wall thickness occurs. It does not apply to changes in SPAN.



QUADRUPLE BOX CULVERT



ROAD AND BRIDGE STANDARDS

DETAILS FOR WIDENING EXISTING BOX CULVERTS
WALL TRANSITIONS

SPECIFICATION
REFERENCE

SHEET 4 OF 4

REVISION DATE

1008.04

07/11

VIRGINIA DEPARTMENT OF TRANSPORTATION