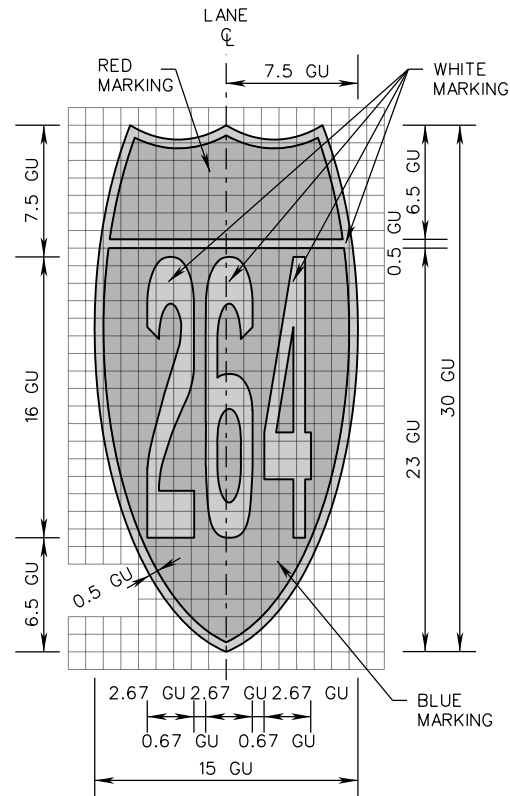


2 DIGITS INTERSTATE SHIELD ON DARK OR LIGHT PAVEMENT



3 DIGITS INTERSTATE SHIELD ON DARK OR LIGHT PAVEMENT

NOTES:

1. SEE TABLE FOR GRID UNIT (GU) SIZE AND SHIELD AND NUMERAL DIMENSIONS.
2. FOR THE NUMBER "1", DIVIDE NUMERAL WIDTH BY 4.

| GRID UNIT (GU) SIZE | SHIELD HEIGHT | SHIELD WIDTH | | NUMERAL DIMENSIONS | |
|---------------------|---------------|--------------|----------|--------------------|----------------------|
| | | 2 DIGITS | 3 DIGITS | HEIGHT | WIDTH (SEE NOTE 2) |
| 6" | 15'-0" | 6'-0" | 7'-6" | 8'-0" | 1'-4" |
| 7" | 17'-6" | 7'-0" | 8'-9" | 9'-4" | 1'-6 $\frac{3}{4}$ " |
| 8" | 20'-0" | 8'-0" | 10'-0" | 10'-8" | 1'-9 $\frac{1}{2}$ " |