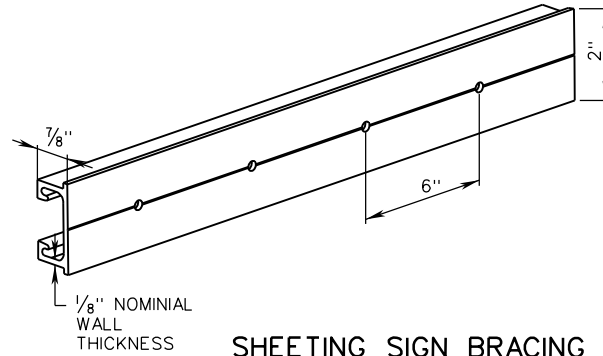


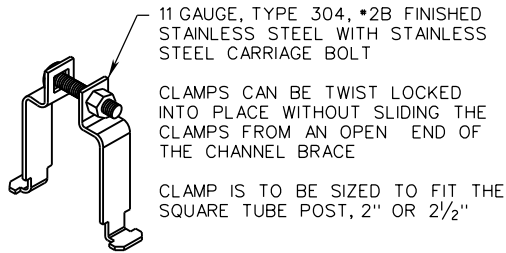
**SQUARE POST CLAMP & BRACE
(CONNECTING JUNCTION)**



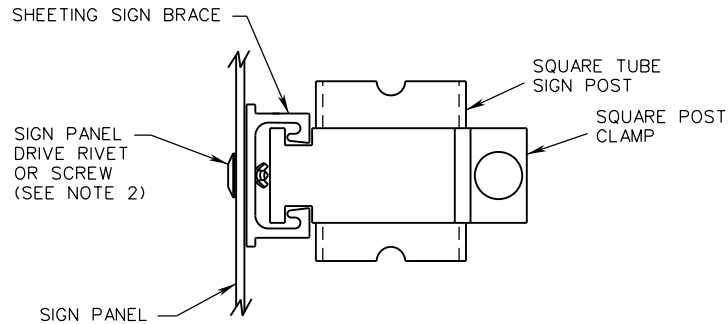
ALUMINUM SIGN BRACING 2" MOUNTING SURFACE x 7/8" DEPTH x 1/8" NOMINAL WALL THICKNESS

6061-T6 ALUMINUM ALLOY, PUNCHED WITH 3/16" DIAMETER HOLES ON 6" CENTERS FOR ATTACHMENT OF SIGN SUBSTRATE USING SIGN PANEL 3/16" DRIVE RIVETS, OR 3/8" DIAMETER HOLES ON 12" CENTERS WHEN USING 3/8" DRIVE RIVETS.

SHEETING SIGN BRACING



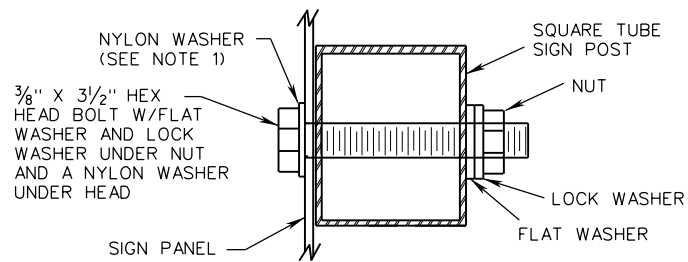
SQUARE POST CLAMP DETAIL



**SIGN PANEL ATTACHMENT DETAILS
FOR SIGN POSTS REQUIRING BRACING**

NOTES:

1. NYLON WASHER SHALL BE 1/16" THICK MINIMUM WITH AN OUTSIDE DIAMETER OF 1" AND AN INSIDE DIAMETER OF 3/16".
2. DRIVE RIVET SHALL BE 3/16" OR 3/8" ALUMINUM FLAT HEAD RIVET WITH NYLON OR RUBBER WASHER.
3. THE HEAD OF ALL DRIVE RIVETS AND HEX HEAD BOLTS SHALL BE POWDER COATED TO MATCH THE COLOR OF THE SIGN SHEETING.
4. DRIVE RIVET SHALL NOT BE USED FOR SIGNS WITHOUT BRACING.



**SIGN PANEL ATTACHMENT DETAILS
FOR SIGN POSTS NOT REQUIRING BRACING**

A COPY OF THE ORIGINAL SEALED AND SIGNED DRAWING IS ON FILE IN THE CENTRAL OFFICE.

SQUARE TUBE SIGN POST

SIGN BRACING AND SIGN PANEL ATTACHMENT DETAILS

VIRGINIA DEPARTMENT OF TRANSPORTATION

SPECIFICATION REFERENCE

700



ROAD AND BRIDGE STANDARDS

SHEET 10 OF 12 REVISION DATE

1321.19

NEW 01/15