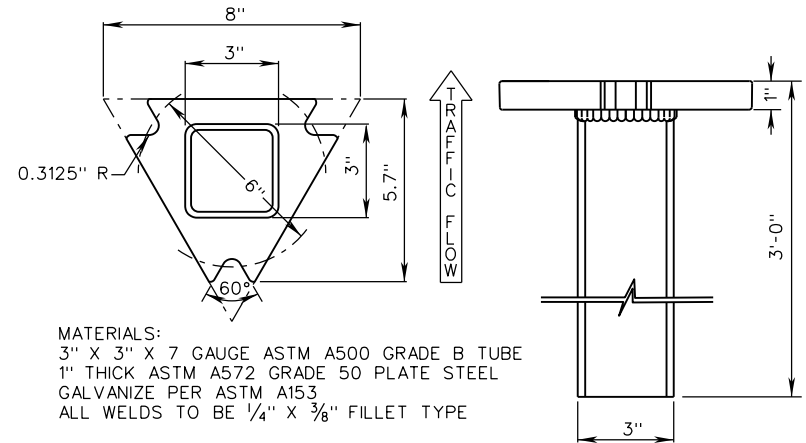


FOUNDATION TYPE B



MULTI-DIRECTIONAL COMBINATION
ANCHOR/SLIP BASE PLATE

SPECIFICATION
REFERENCE

700

A COPY OF THE ORIGINAL SEALED AND SIGNED DRAWING IS ON FILE IN THE CENTRAL OFFICE.

SQUARE TUBE SIGN POST

FOUNDATION TYPE B DETAILS

VIRGINIA DEPARTMENT OF TRANSPORTATION

VDOT

ROAD AND BRIDGE STANDARDS

REVISION DATE

NEW 01/15

SHEET 5 OF 12

1321.14