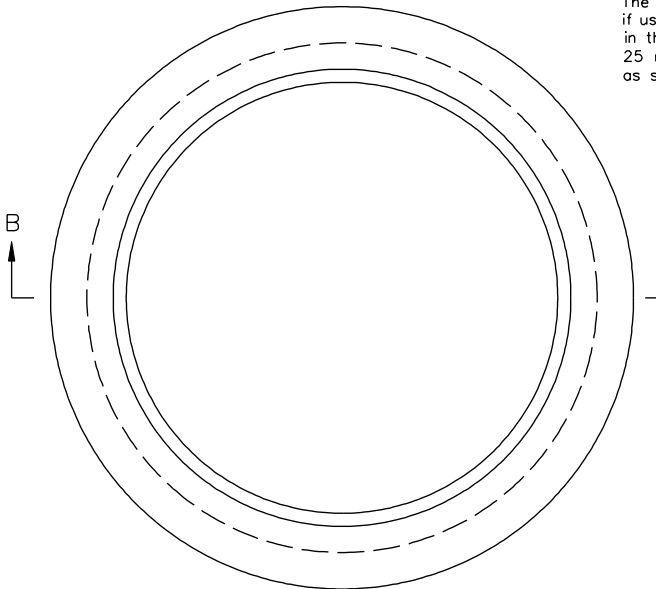
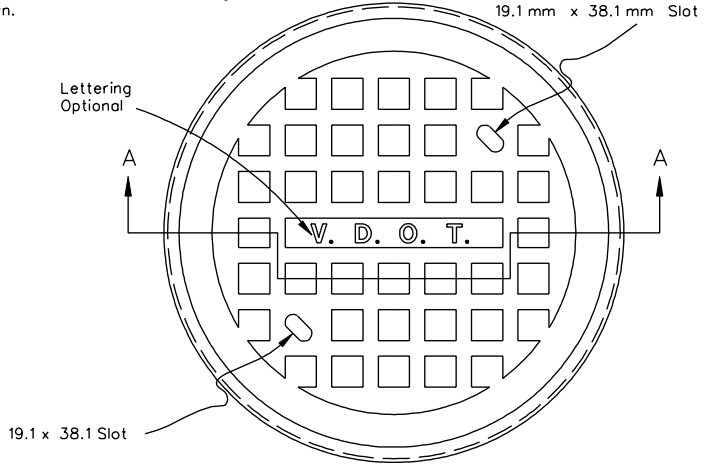


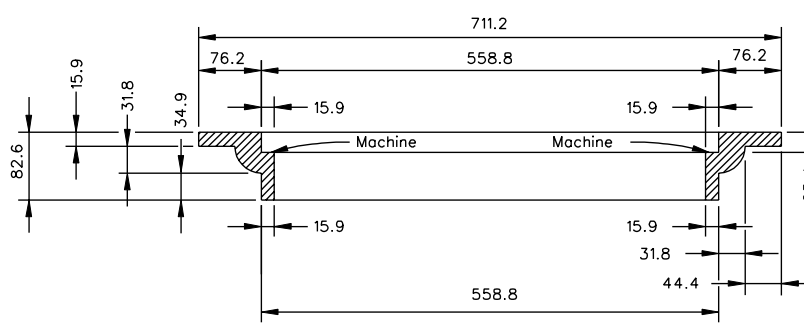
Note:
 The letters VDOT are optional,
 if used the letters are to be cast
 in the depression in top of the cover
 25 mm wide and raised 6 mm high
 as shown.



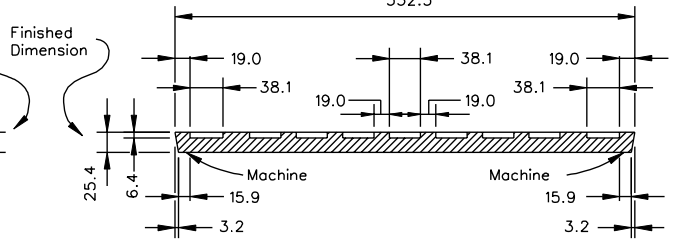
FRAME



COVER



SECTION B-B



SECTION A-A

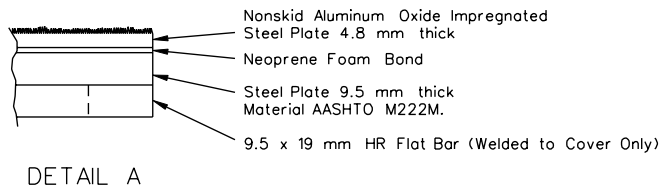
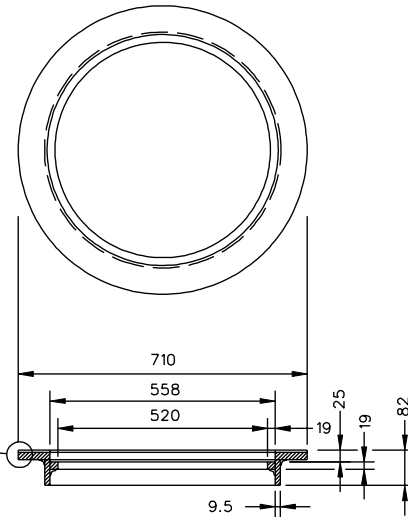
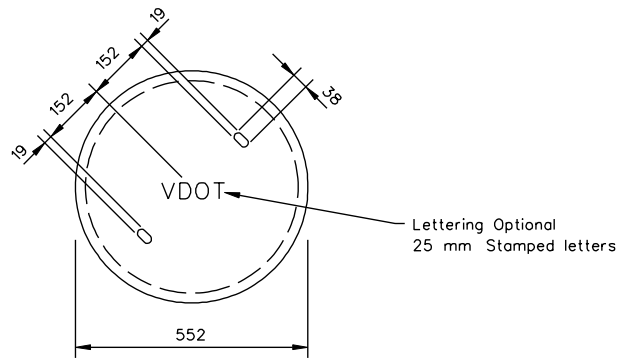
APPROXIMATE WEIGHT
 CAST IRON
 FRAME 39.0 ± 2.0 kg.
 COVER 37.5 ± 1.9 kg.

SPECIFICATION REFERENCE
224 302

STANDARD INLET AND FRAME COVER

VIRGINIA DEPARTMENT OF TRANSPORTATION

UNLESS OTHERWISE NOTED, ALL DIMENSIONS ON THIS SHEET ARE IN MILLIMETERS



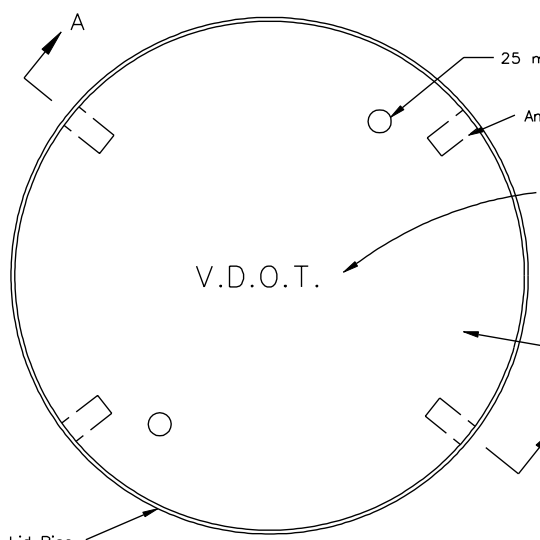
Notes:
Structural Components shall conform to AASHTO M222M.
Frame and Cover shall have a continuous flash fit.

STANDARD INLET AND FRAME COVER

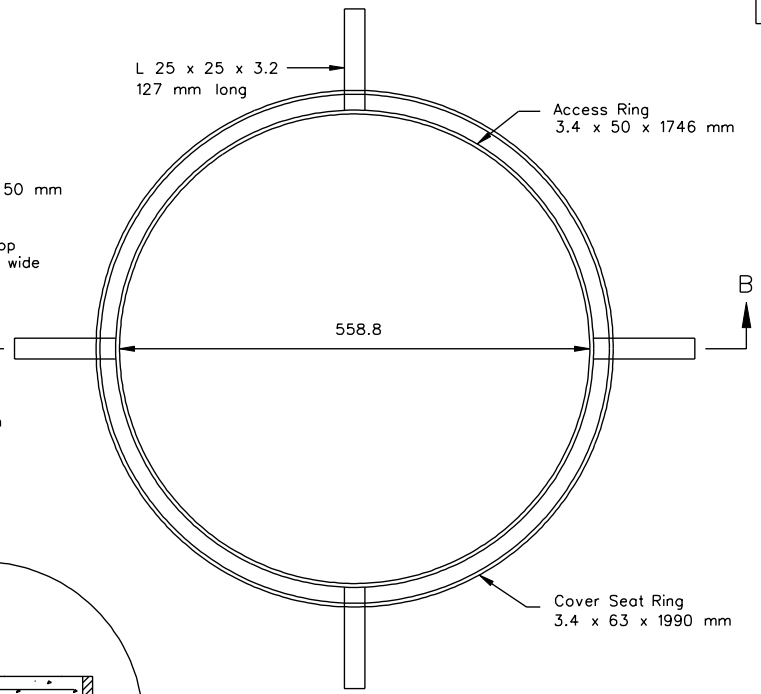
VIRGINIA DEPARTMENT OF TRANSPORTATION

SPECIFICATION REFERENCE

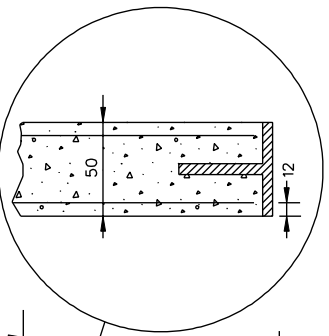
302



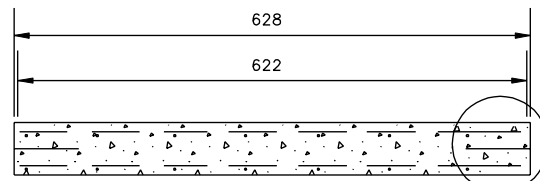
PLAN VIEW COVER



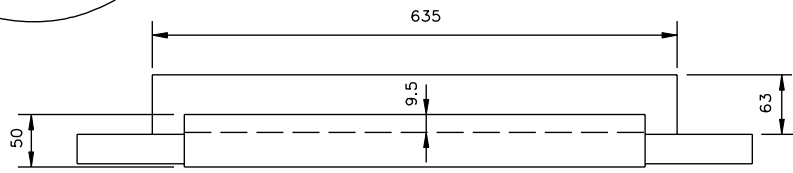
PLAN VIEW FRAME



Note:
 Concrete 30 MPa
 All metal galvanized to V.D.O.T.
 Standard and ASTM A 123.



SECTION A-A



SECTION B-B

SPECIFICATION REFERENCE
105 302

PRECAST INLET AND FRAME COVER

VIRGINIA DEPARTMENT OF TRANSPORTATION

UNLESS OTHERWISE NOTED, ALL DIMENSIONS ON THIS SHEET ARE IN MILLIMETERS

105.03