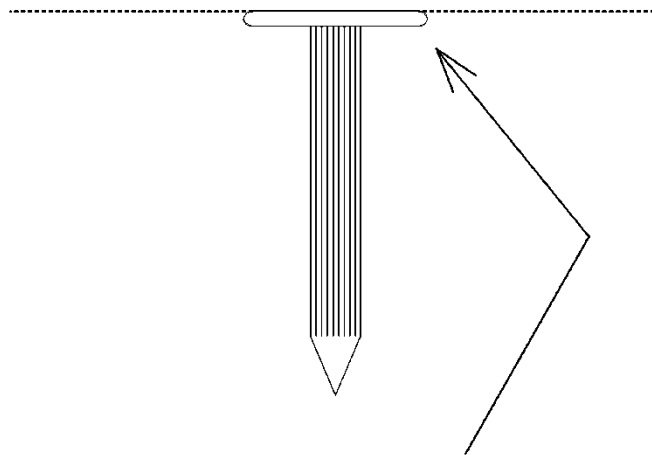


Figure 5-D

“X” Configuration Helicopter Target Dimensions

<u>Photo Scale</u>	<u>L</u> <u>Length (in)</u>	<u>W</u> <u>Width (in)</u>
1:800 (1"=67')	8"	1"
1:1000 (1"=83')	10"	1"
1:1200 (1"=100')	14"	2"
1:1500 (1"=125')	18"	2"

Figure 5-E



****CRITICAL****

Set PK Nail flush with pavement (ground)

Figure 5-F