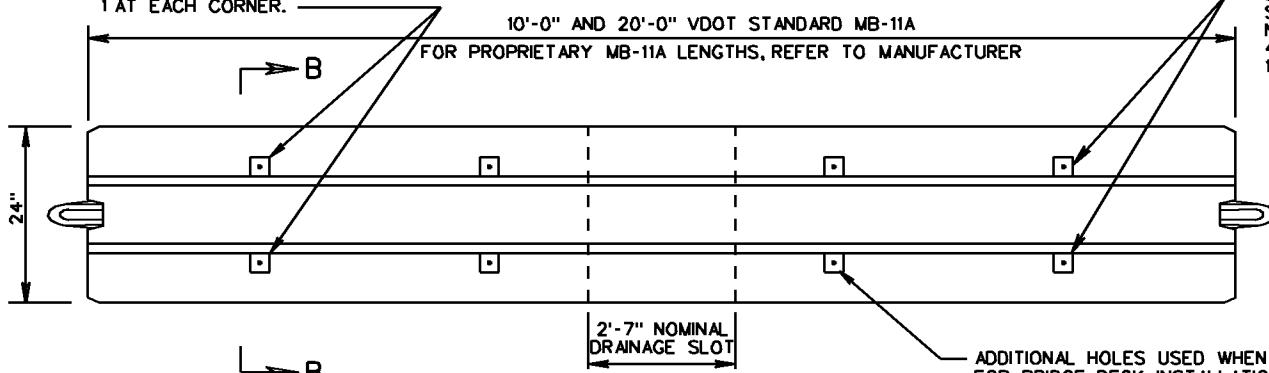


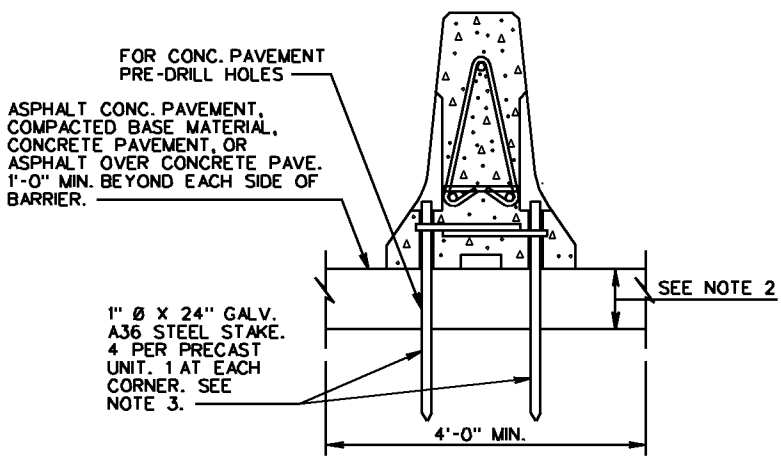
MB-11A

STAKE LOCATIONS WHEN STAKING STANDARD MB-11A.
NOT TO BE USED ON BRIDGE DECKS.
4 PER PRECAST UNIT.
1 AT EACH CORNER.

STAKE LOCATIONS WHEN STAKING
STANDARD MB-11A.
NOT TO BE USED ON BRIDGE DECKS.
4 PER PRECAST UNIT.
1 AT EACH CORNER.



PLAN VIEW



SECTION B-B

TEMPORARY INSTALLATION ON ASPHALT CONCRETE PAVEMENT, COMPACTED BASE MATERIAL, CONCRETE PAVEMENT, OR ASPHALT OVER CONCRETE PAVEMENT (NOT TO BE USED ON BRIDGE DECKS)

NOTES:

1. STAKING OF STANDARD MB-11A TO ASPHALT CONCRETE PAVEMENT, COMPACTED BASE MATERIAL, CONCRETE PAVEMENT, OR ASPHALT OVER CONCRETE PAVEMENT IS REQUIRED WHEN TRAFFIC BARRIER SERVICE CONCRETE IS PLACED WITHIN THE TWO (2) FOOT OFFSET OF A TRENCHING OPERATION (4' OR GREATER IN DEPTH) OR WHEN DETERMINED BY THE ENGINEER.
2. 2" MIN. FOR ASPHALT CONCRETE.
6" MIN. FOR COMPACTED BASE MATERIAL.
3. DRIVE STAKE HEAD BELOW FACE OF BARRIER TO PREVENT SNAGGING.
4. CONTRACTOR TO VERIFY PAVEMENT STRUCTURE PRIOR TO PLACING STAKES.
5. UPON REMOVAL OF THE STAKES AND BARRIERS, REPAIR THE RESULTING HOLES AS FOLLOWS OR AS DIRECTED BY THE ENGINEER. CLEAN AND FILL WITH TYPE EP-4 OR EP-5 EPOXY MORTAR CONFORMING TO THE REQUIREMENTS OF SECTION 24.3 FOR HYDRAULIC CEMENT CONCRETE PAVEMENT AND ASPHALT CONCRETE PAVEMENT. CARE SHALL BE TAKEN NOT TO TRAP AIR WITHIN OR AT THE BOTTOM OF THE EPOXY MORTAR.

VDOT	
ROAD AND BRIDGE STANDARDS	
SHEET 3 OF 3	REVISION DATE
502.15	01/09

**TRAFFIC BARRIER SERVICE CONCRETE PARAPET
(DOUBLE FACE)**
(FOR TEMPORARY INSTALLATION ON ROADWAYS)
VIRGINIA DEPARTMENT OF TRANSPORTATION

SPECIFICATION REFERENCE
105 512