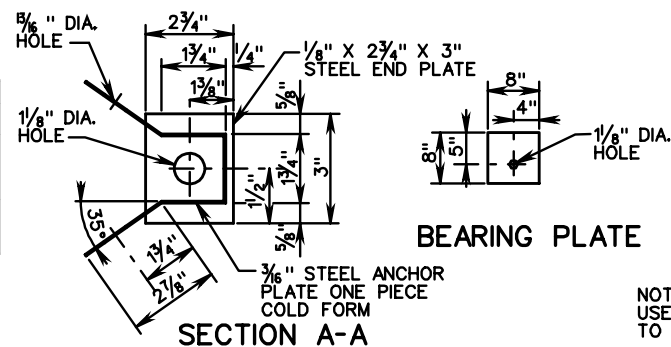
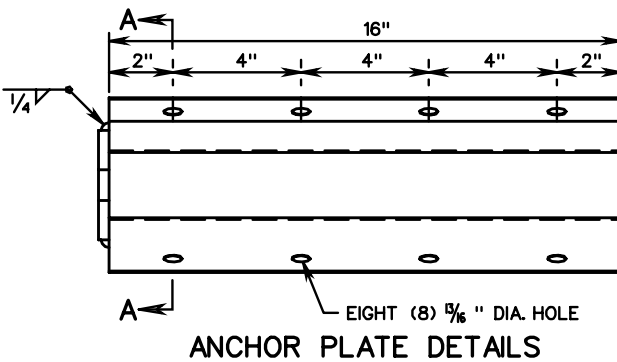
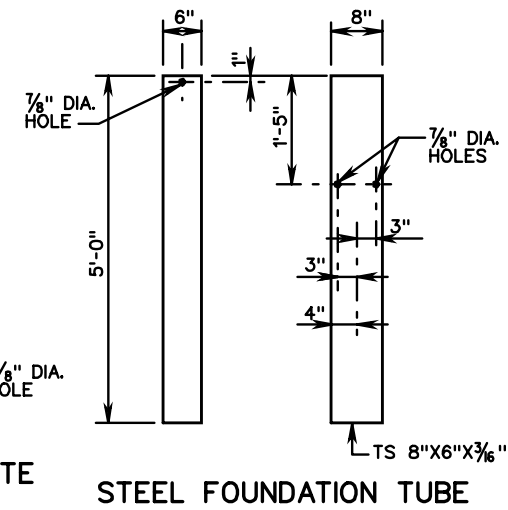
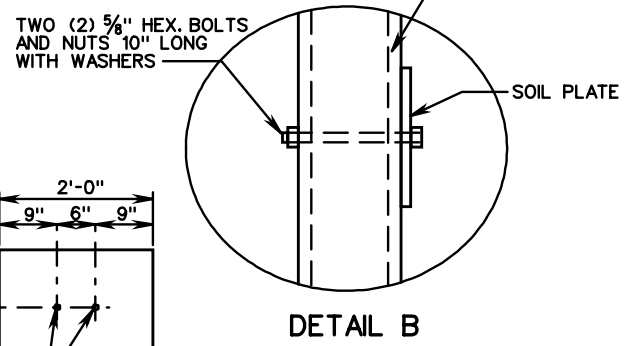
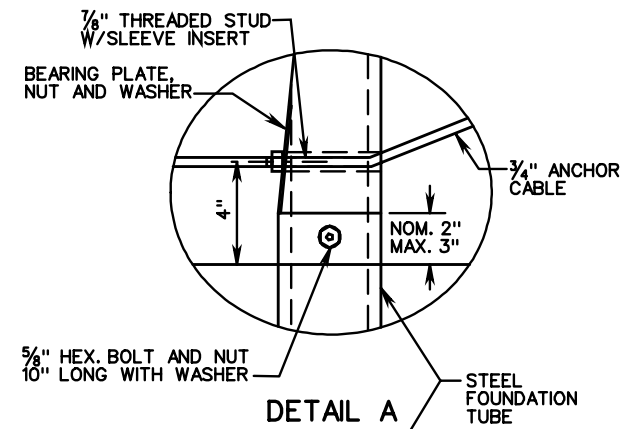
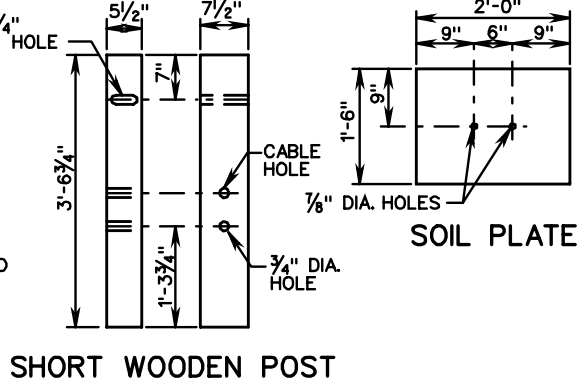
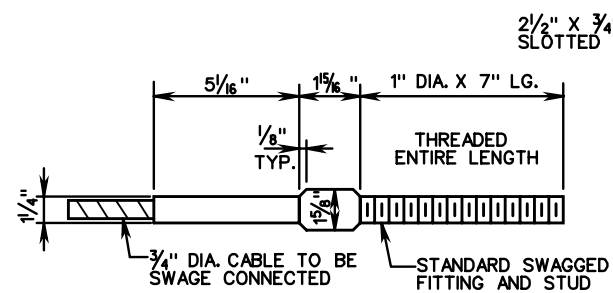
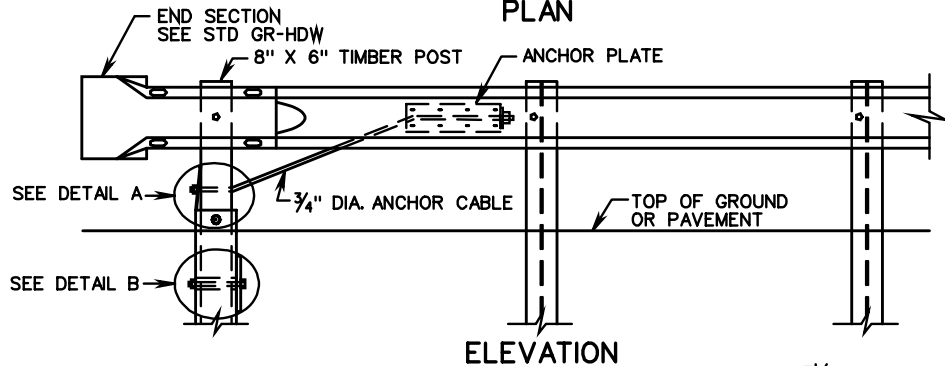
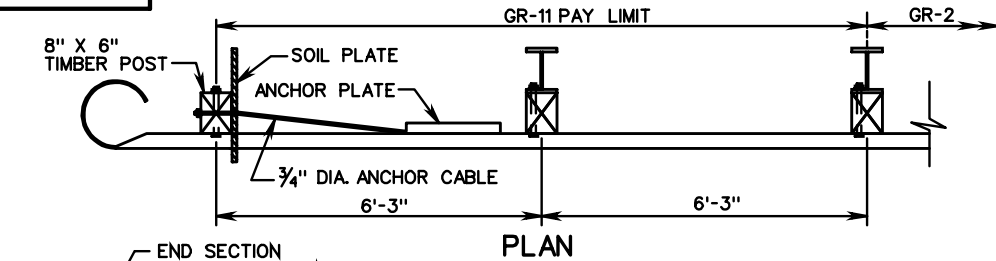


GR-11



NOTE: USE OF THIS TERMINAL TREATMENT IS RESTRICTED TO RUN-OFF CONDITIONS ON DIVIDED HIGHWAYS.

ROAD AND BRIDGE STANDARDS	
SHEET 1 OF 1	REVISION DATE
501.20	

<h1>TRAILING END TERMINAL TREATMENT</h1>	
VIRGINIA DEPARTMENT OF TRANSPORTATION	
2016 ROAD & BRIDGE STANDARDS	

SPECIFICATION REFERENCE
505 221