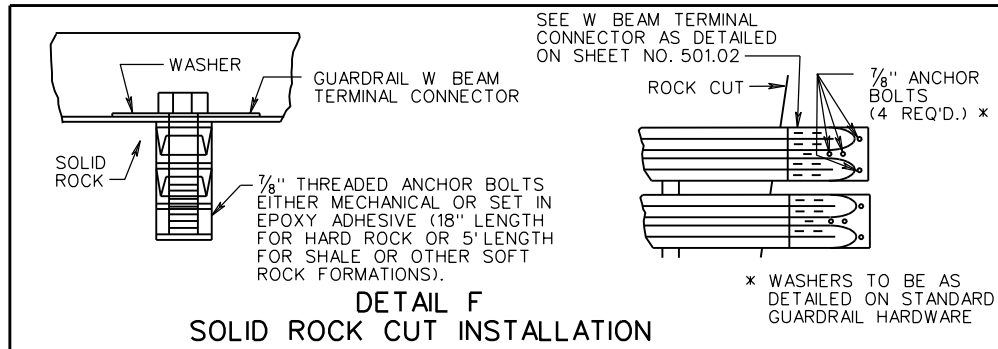
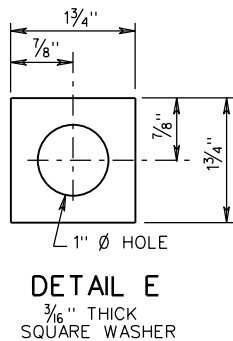
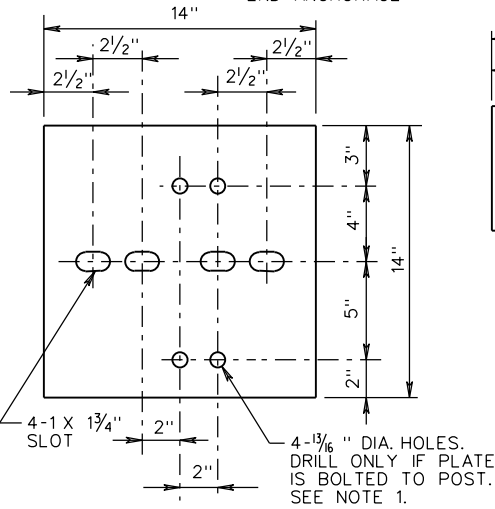
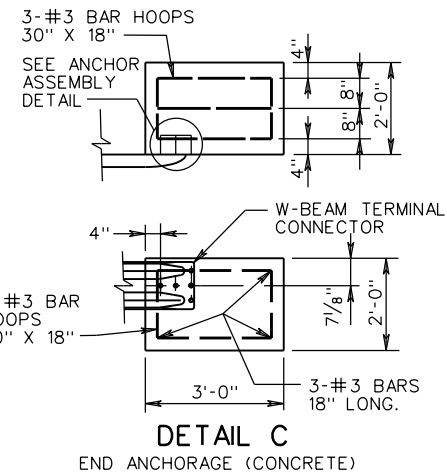
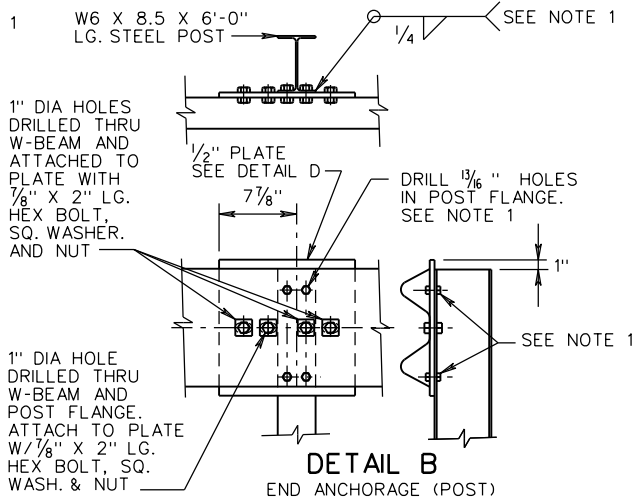
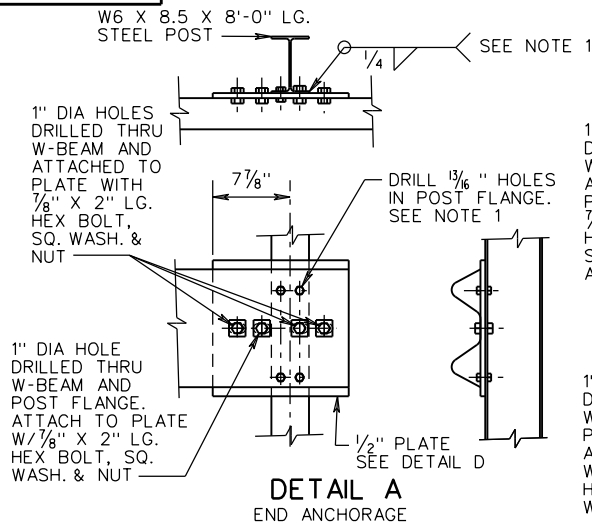
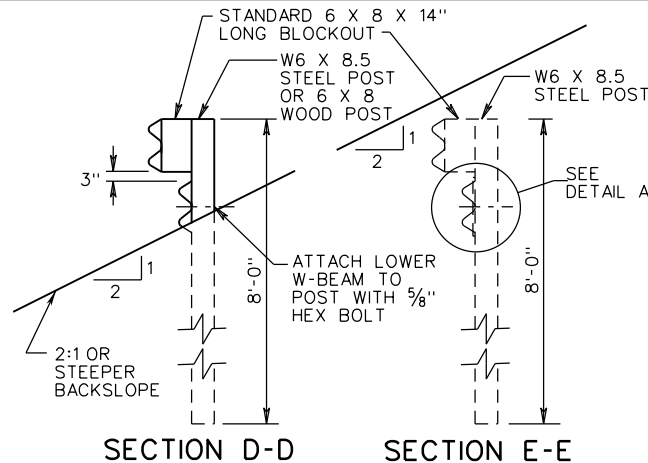
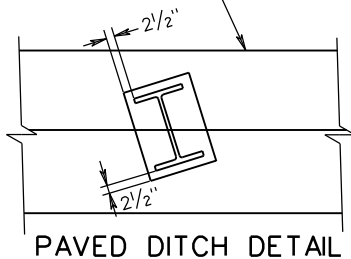


GR-6



RECTANGULAR HOLE IS TO BE PROVIDED THROUGH THE PAVED DITCH FOR PLACEMENT OF GUARDRAIL POST. AFTER POST INSTALLATION HOLE IS TO BE FILLED WITH MORTAR GROUT AT THE SAME THICKNESS AS THE PAVED DITCH



NOTE:

- 1/2" STEEL PLATE MAY BE WELDED OR BOLTED TO POST. IF PLATE IS BOLTED TO POST USE 4 - 3/8" X 1 1/2" LG. HEX HEAD BOLTS W/ HEX NUTS. IF PLATE IS WELDED TO POST DO NOT DRILL 13/16" HOLES IN PLATE OR IN POST FLANGES.
- CONCRETE END ANCHORAGE MAY BE USED IN PLACE OF STEEL POST AT 8'-0" OFFSET.



ROAD AND BRIDGE STANDARDS

A COPY OF THE ORIGINAL SEALED AND SIGNED DRAWING IS ON FILE IN THE CENTRAL OFFICE.

TERMINAL TREATMENT FOR W-BEAM GUARDRAIL

SPECIFICATION REFERENCE

SHEET 2 OF 2

REVISION DATE

221

501.10

7/12

505

VIRGINIA DEPARTMENT OF TRANSPORTATION