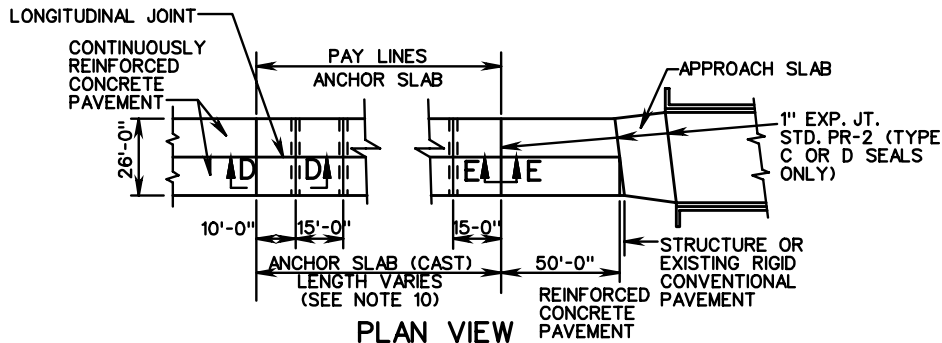
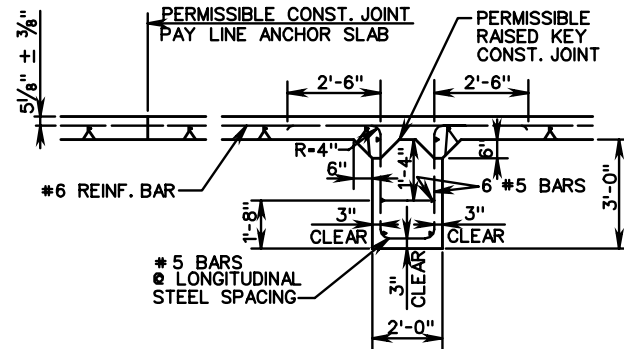


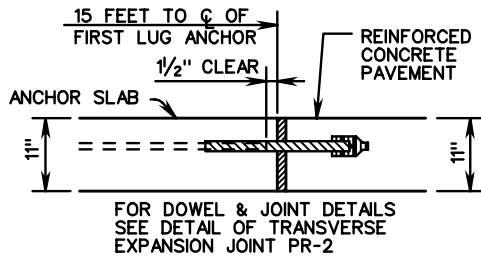
PR-7



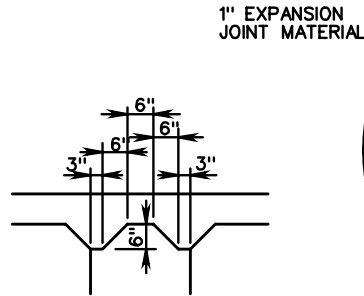
PLAN VIEW
ANCHOR SLAB TYPE I



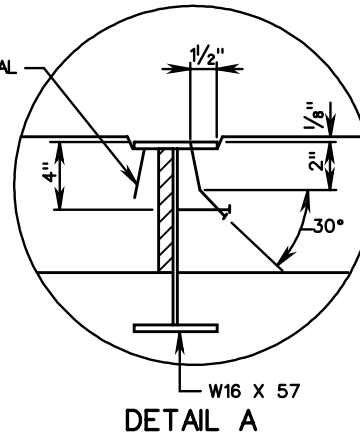
SECTION D-D



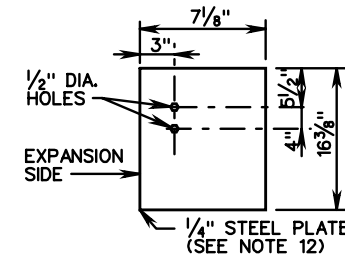
SECTION E-E
ANCHOR SLAB TYPE I



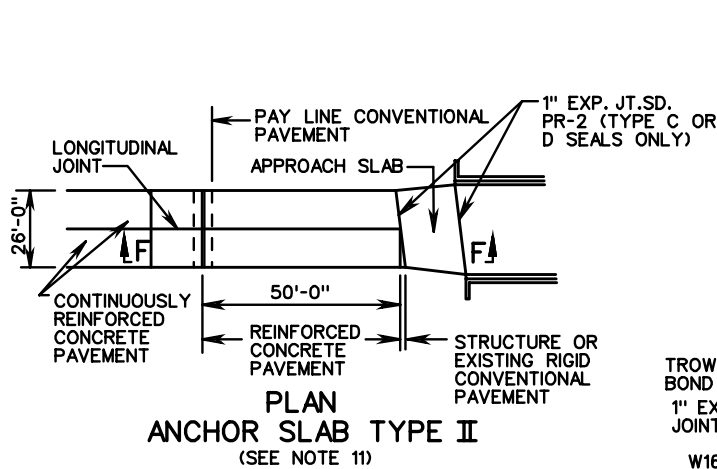
DETAIL-RAISED KEY
CONSTRUCTION JOINT



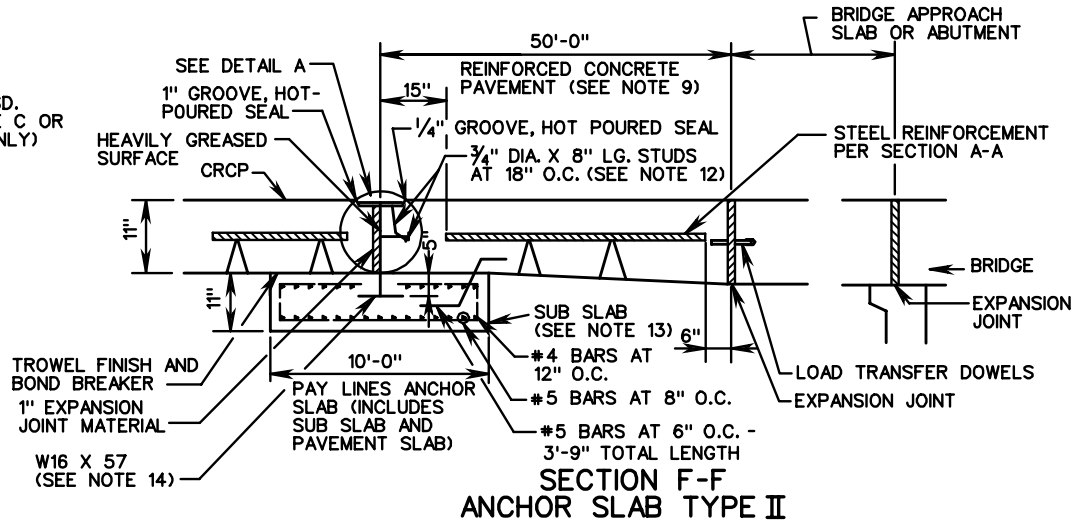
DETAIL A



ANCHOR SLAB TYPE II
END PLATE DETAIL



PLAN
ANCHOR SLAB TYPE II
(SEE NOTE 11)



SECTION F-F
ANCHOR SLAB TYPE II

SEE SHEET 3 OF 3 FOR NOTES



ROAD AND BRIDGE STANDARDS

11" THICK CONTINUOUSLY REINFORCED CONC. PAVE.
(14 FOOT TRAVEL LANE)

SPECIFICATION
REFERENCE

SHEET 2 OF 3

REVISION DATE

VIRGINIA DEPARTMENT OF TRANSPORTATION

301.20

316